

# COATS®

## 50/60/70/90 and

## X-Model Series

# Rim Clamp® Tire Changers

For servicing single piece automotive and most tubeless light truck tire/wheel assemblies.

Any other type, including tube type and agricultural, require special handling. Tires identified as truck tires need to adhere to OSHA standard 1910.177.



\* 70X-EH-3 Shown

## *Parts Identification*

READ these instructions before placing unit in service. KEEP these and other materials delivered with the unit in a binder near the machine for ease of reference by supervisors and operators.

**HENNESSY INDUSTRIES, INC.**

1601 J. P. Hennessy Drive, LaVergne, TN USA 37086 615/641-7533 800/688/6359 [www.ammcoats.com](http://www.ammcoats.com)  
HENNESSY INDUSTRIES INC. Manufacturer of AMMCO®, COATS® and BADA® Automotive Service Equipment and Tools.

Manual Part No.: 85607317 12  
Revision: 9/15

## **Parts Identification**

The following pages include parts breakdowns with exploded view illustrations to help with ordering replacement or spare kits. Assemblies are noted where it is recommended that individual parts not be ordered separately. Note that the parts view illustrations are for multiple models and not all parts shown are on all models. Every effort is made to supply accurate exploded views, however, due to interim changes in manufacturing operations, some units may not be exactly as illustrated.

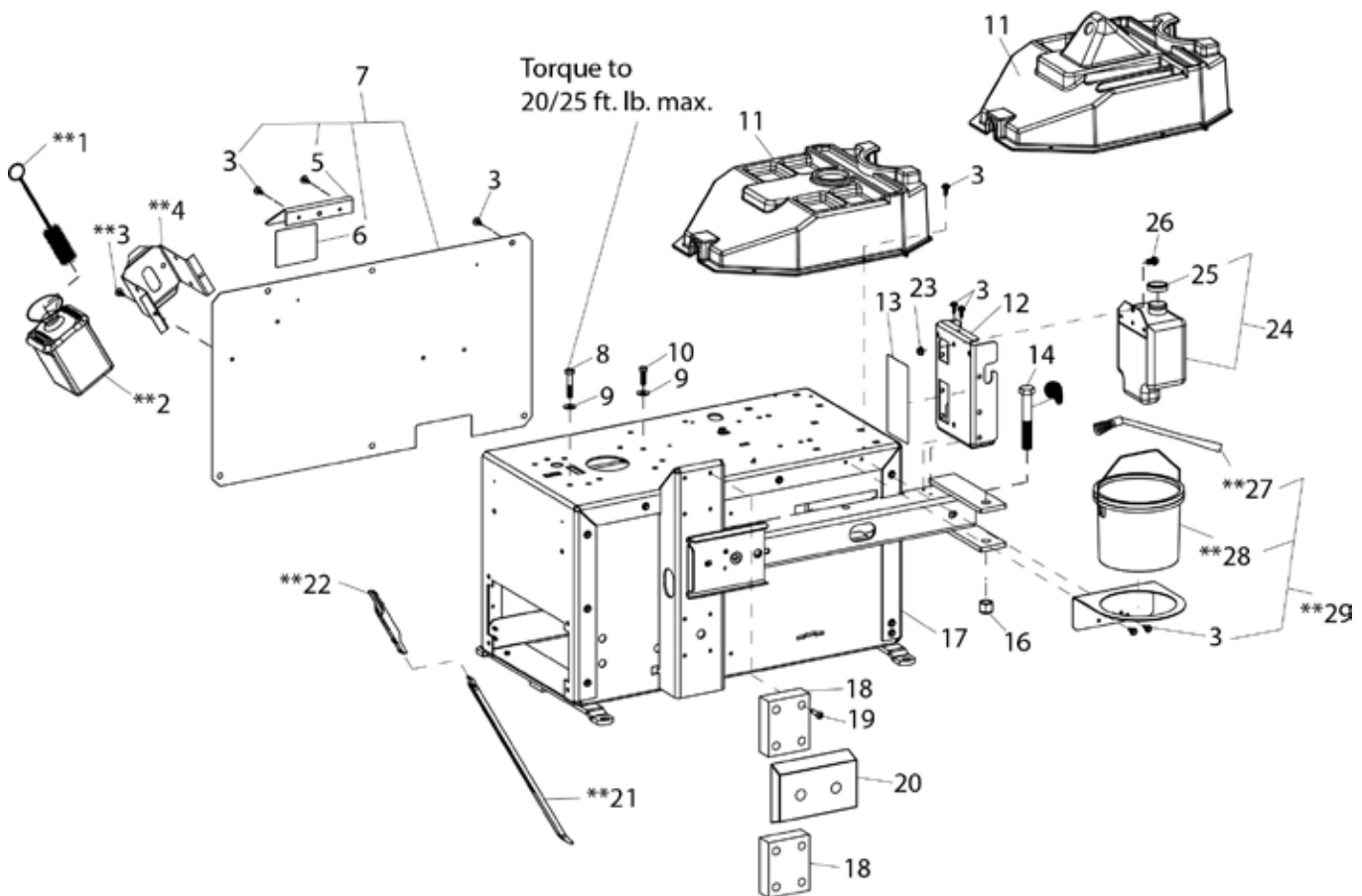
## **Table of Contents**

<b>Parts Identification .....</b>	<b>2</b>
<b>Chassis System .....</b>	<b>4</b>
<b>BL Arm Assembly.....</b>	<b>5</b>
<b>Inflation Bracket and Tower Assembly.....</b>	<b>6</b>
<b>Robo-Arm® Assembly .....</b>	<b>8</b>
<b>Swing Arm Assembly .....</b>	<b>10</b>
<b>Helper Arm Assembly.....</b>	<b>12</b>
<b>Foot Pedal Assemblies.....</b>	<b>14</b>
Electric Model Foot Pedal Assembly .....	14
Air Model Foot Pedal Assembly.....	16
<b>Table Top and Shaft Housing Assembly ..</b>	<b>18</b>
<b>Inflation Guard Assembly - 6065, 7665 .....</b>	<b>20</b>
<b>Valve Assemblies .....</b>	<b>22</b>
<b>Cylinder Assemblies.....</b>	<b>23</b>
<b>Leverless Bead Lifter.....</b>	<b>24</b>
<b>Electrical Schematics .....</b>	<b>26</b>
Domestic and C.S.A.....	26
115V Motor, 2-speed .....	27
<b>Pneumatic Diagram.....</b>	<b>28</b>
<b>Notes .....</b>	<b>30</b>
<b>Rim Clamp® Tire Changer.....</b>	<b>32</b>

# Chassis System

Item	Part No.	Description	Item	Part No.	Description
**1	8000491	Lube Applicator	16	8120055	5/8-11 Hex Nut
**2	8106259	Lube Bottle (Red)	17	8182041	Chassis
**3	8106301	1/4" Hex Hd Self Tap Screw, Gr.5	18	8181851	B.L. Pad, Front
**4	8182809	Lube Bottle Bracket	19	8182088	5/16-18 x 1-1/4 TPHST Screw, Gr.5
5	8182811	Inflation Pedal Cover	20	8181855	B.L. Center Pad
6	8181285	Inflation Pedal Decal	**21	8181354	Bead Lifting Tool (Not Standard On Leverless Unit)
7	85607585	Metal Side Panel	**22	85000783	Lift Tool Bootie Kit, Pkg of 10
8	8182040	M10-1.5 x 55MM Hex Hd.Cap Scr, Gr.8.8	23	924724	312-18 Hex Flange Nut
9	8301032	3/8 Flat Washer, Zinc Plate	24	8185629	Tank Reservoir w/Cap
10	8107715	3/8-16 x 1-1/4 Hex Hd. Cap Scr, Gr.5	25	81856301	Tank Reservoir Cap
11	8181964	Plastic Accessory Tray	26	8183452	5/16-18x5/8 HWHCS Screw
	85608840	Plastic Accessory Tray for Air Nozzle	**27	85000850	Tire Paste Brush
12	8183770	Lubricator Bracket	**28	8183710	Universal Mounting Paste
13	8183778	Lubrication Notice Decal	**29	85009048	Lube Bucket Bracket & Brush Kit
14	85608582	3/4 x 3-1/2 SHSHS Screw			

\*\*Accessory Item



## BL Arm Assembly

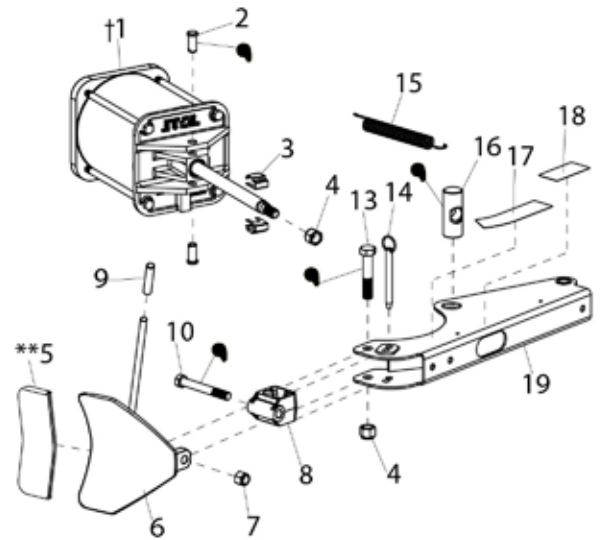
Item	Part No.	Description
†1	81833123	B.L. Cylinder, 1/4" Fitting (Hand Operated)
	81833125	B.L. Cylinder, 1/4" Fitting (70 Series, Hand Operated)
	8183312	B.L. Cylinder, 3/8" Fitting (Foot Operated)
2	8181949	5/8 x 1-3/8 Clevis Pin
3	8181912	Clevis Clip
4	8182016	3/4"-10 Nylon Insert Lock Nut, Gr.5
**5	8183606	Shoe Bootie Kit, Pkg of 2
6	85608038	B.L. Shoe, Handle & Pivot W/C (Hand Operated)
	8183529	B.L. Shoe, w/handle (Foot Operated)
7	8182043	5/8-11 Nylon Insert Lock Nut Gr.5
8	8181951	B.L. Shoe Pivot Bracket
9	8100979	3/4", Rubber Hand Grip (Hand Operated)
	7000230	1/2" Rubber Hand Grip (Foot Operated)
10	8182011	5/8-11 x 5" Hex Hd Cap Scr, Gr.5
*11	85608033	B.L. Arm Valve Assembly
	8185755	B.L. Arm Valve Assy (old style)
12	902189	1/4-20 x .504 HHCS
13	8182009	3/4-10 x 3 3/4" HHCS
14	8120326	ø1/2" Hitch Pin
15	8180230	B.L. Spring
16	85607837	Pivot Pin, B.L. Cylinder Rod (Hand Operated)
	8182550	Pivot Pin, B.L. Cylinder Rod (Foot Operated)
17	8181970	Bead Loosener Caution Decal
18	8182768	Bead Loosener Caution Decal
19	8182002	B.L. Arm
20	8185558	Shoulder Screw
21	85000047	10/24 x 1" HHCS Screw
22	8301035	3/8-16 Hex Nyloc Nut
23	8182682	10-24 Nylon Insert Lock Nut Gr.5
24	85608037	Lever Link
25	8106301	1/4" Hex Hd Self Tap Screw, Gr.5
26	8182044	Neoprene Cushion Clamp
27	85608034	B.L. Lever Assembly
28	85608569	Heim Joint
29	8182457	Washer
30	85608567	Spacer
31	85608566	Spacer
32	8182579	Screw

†Cylinder Assemblies

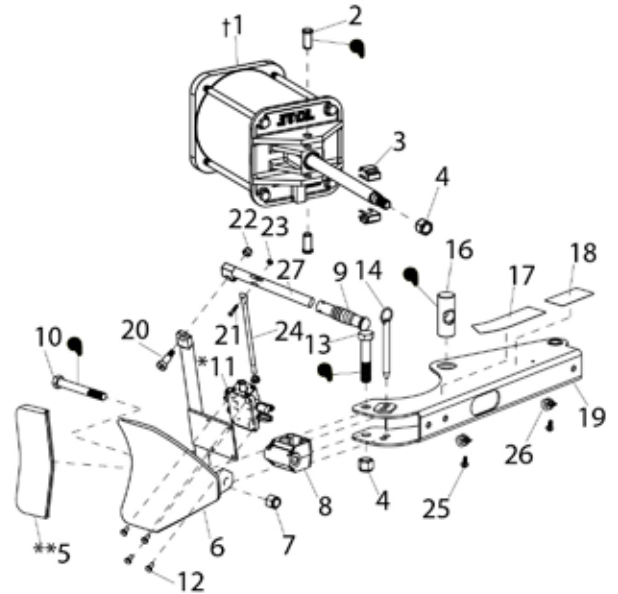
\*Valve Assemblies (available only as individual components, see page 22)

\*\*Accessory Item

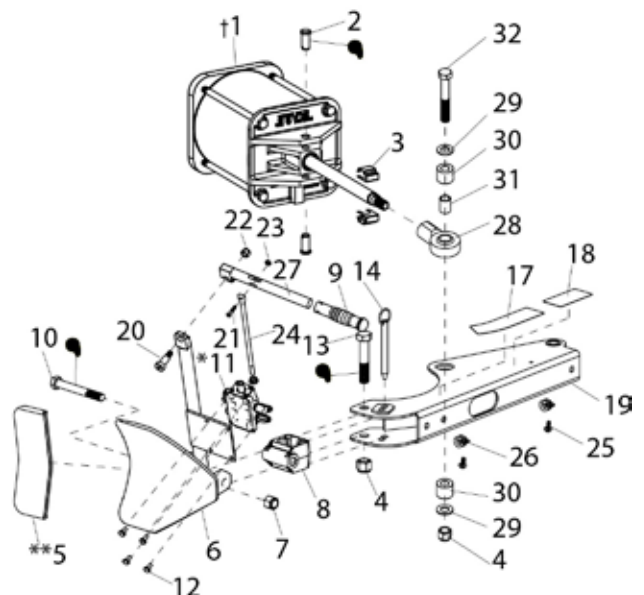
### BL Arm Assembly (Foot Operated)



### BL Arm Assembly (Hand Operated)

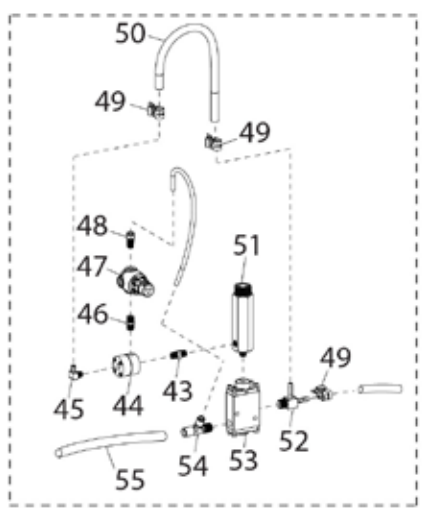
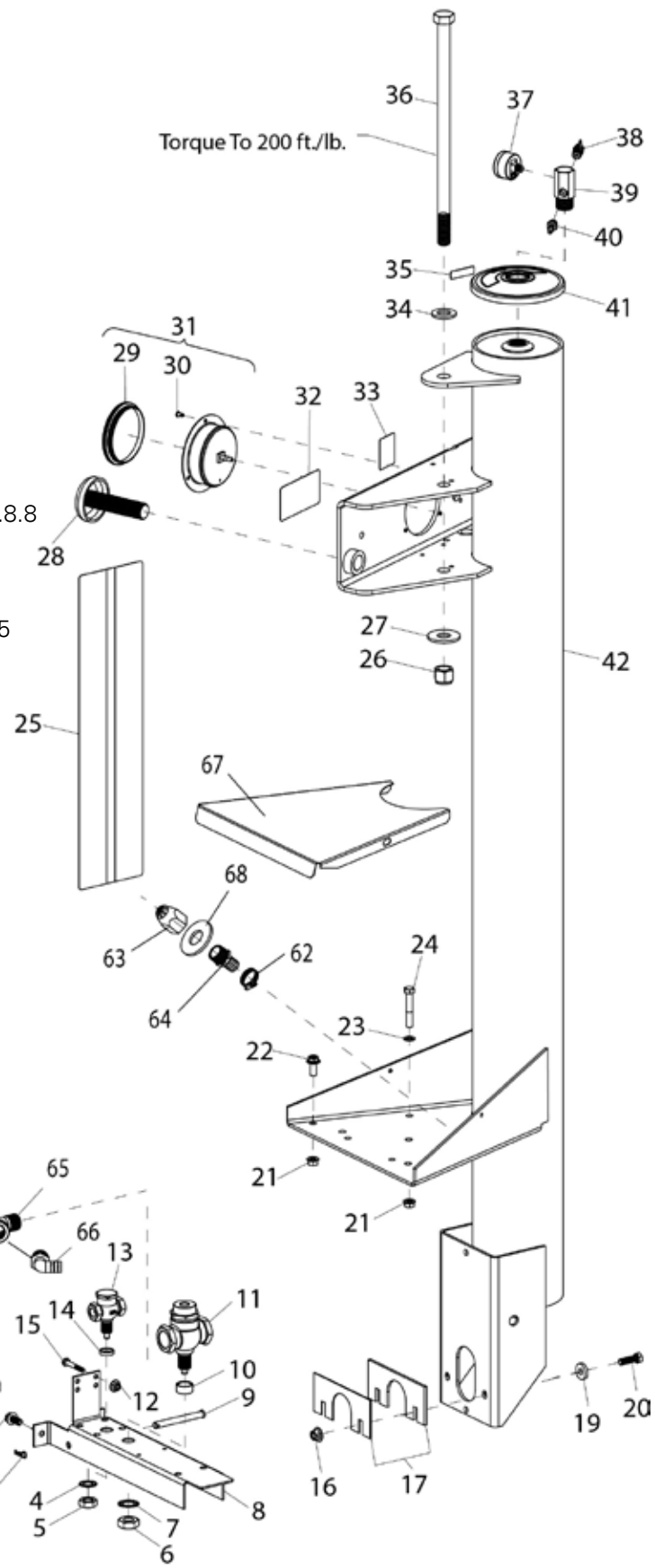


### BL Arm Assembly (70-Series, Hand Operated)

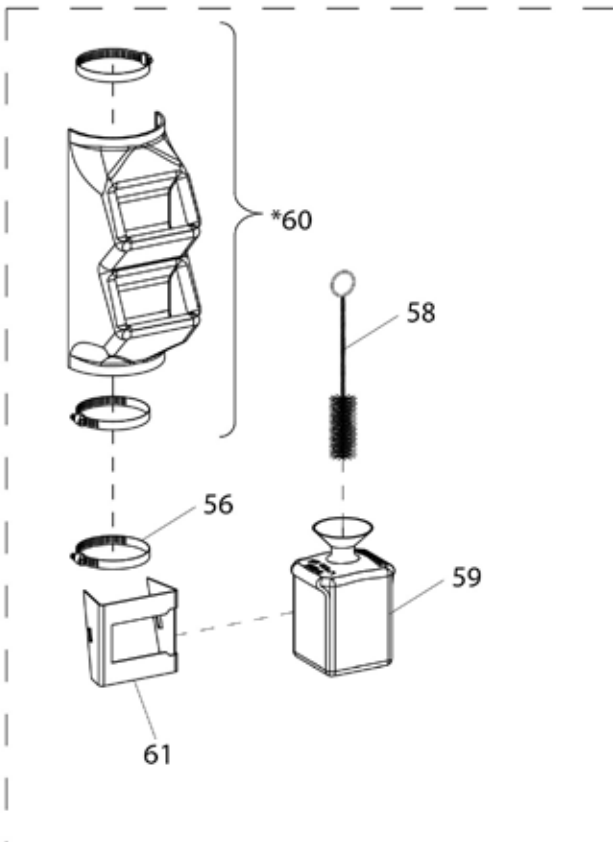
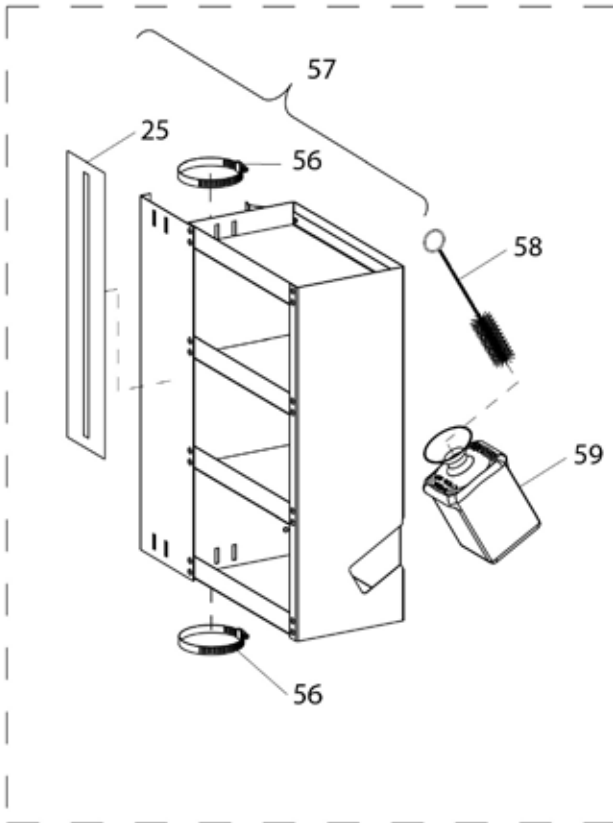


# Inflation Bracket and Tower Assembly

Item	Part No.	Description
1	8181933	Pedal Inflation
2	8102459	3/8" Self Tap Screw Gr.5
3	8107407	Hitch Pin Retainer
4	8104613	5/8" Ext. Tooth Lock Washer
5	8104611	5/8" N.F. Jam Nut Gr.5
6	8104610	3/4" N.F. Jam Nut Gr.5
7	8104612	3/4" Ext. Tooth Lock Washer
8	8181932	Inflation Brkt.
9	8180103	3/8 x 3-1/4 Clevis Pin
10	8104674	Bushing (3/4" Valve)
11	8106298	3/4" Valve Ported 1/4"-18 NPT
12	8143169	1/4-20 Whiz Lock Nut, Gr.5
13	8104600	1/4" Valve Comp.
14	8104673	Bushing (1/4" Valve)
15	8120408	1/4-20 x 1-3/4 H.H. Cap Scr., Gr.5
16	8120424	3/8"-16 Wash Hd. Lock Nut Gr.5
17	8182076	Shim Kit
18	85000816	Pressure Limiter
19	8000240	Washer 1" OD x 13/32 ID x 3/16"
20	8107715	3/8-16 x 1-1/4 Hex Hd. Cap Scr, Gr.8.8
21	8106303	3/8" Whiz Lock Nut, Gr.5
22	8106302	3/8" Whiz Lock Screw, Gr.5
23	8101018	0.392 x 0.687 x 0.0478 Washer
24	8181137	3/8-16 x 2-1/4 Hex Hd. Cap Scr, Gr.5
25	8182373	Warning Decal
	8182373FR	Warning Decal, French



18 Pressure Limiter Assembly



Item	Part No.	Description
26	8182016	3/4"-10 Nylon Insert Lock Nut, Gr.5
27	8100994	3/4 Flat Washer
28	8181114	Adjusting Knob Assy
	85607820	Adjusting Lock Knob (Leverless)
29	8107517	Gauge Lens, Screw On
30	8107983	Plastic Fastener
31	8107985	Flanged Air Gauge w/Fasteners
32	8109888	Inflation Warning Decal
33	8183597	Release Valve Decal
34	8182457	3/4" SAE Washer
35	8182059	Line Press Gauge Decal
36	8183635	3/4-10 x 14-1/2" Hex Hd. Cap Scr, Gr.5
37	8108968	Air Gauge
38	8182599	Safety Valve
39	8183434	Manifold/Gauge
40	8000378	1/4" Brass St. Fitting
41	8182458	Plastic Cap (Tower)
42	8183622	Tower/Air Receiver
	8183764	Tower/Air Receiver (7665)
43	8109471	1/8" Brass Hex Nipple
44	8109468	Pressure Repeater
45	8110497	Male Elbow 1/8 NPT x 1/4 Hose
46	8109472	1/8" Inline Filter
47	8111083	Regulator
48	8182035	1/8 NPT x 1/4 Tube Male St. Fit.
49	85606362	13mm Spring Hose Clamp
50	8103649	ø1/4 x 12" Hose
51	8110496	Volumn Chamber
52	8110325	1/4" NPT Male Run Tee
53	8109466	Piloted Valve
54	8111255	1/4 NPT x 3/8 x 1/4 Spl Tee
55	8184459	3/8 x 25" Black Rubber Hose
56	8182221	6" Hose Clamp
57	85610105	Accessory Box Assembly
58	8000491	Lube Applicator
59	8106259	Lube Bottle (Red)
60	8181554	Accessory Tray Kit
61	8182167	Lube Bottle Brkt-Red
	8182809	Lube Bottle Brkt-Red
62	8101346	Hose Clamp
63	85608894	Inflation Nozzle Cone
64	8104573	3/4" Straight Fitting
65	85000103	3/4" 45° EL Fitting
66	8107924	3/4" 90° Nylon EL Fitting
67	8182805	Tower Support Cover

## Robo-Arm® Assembly

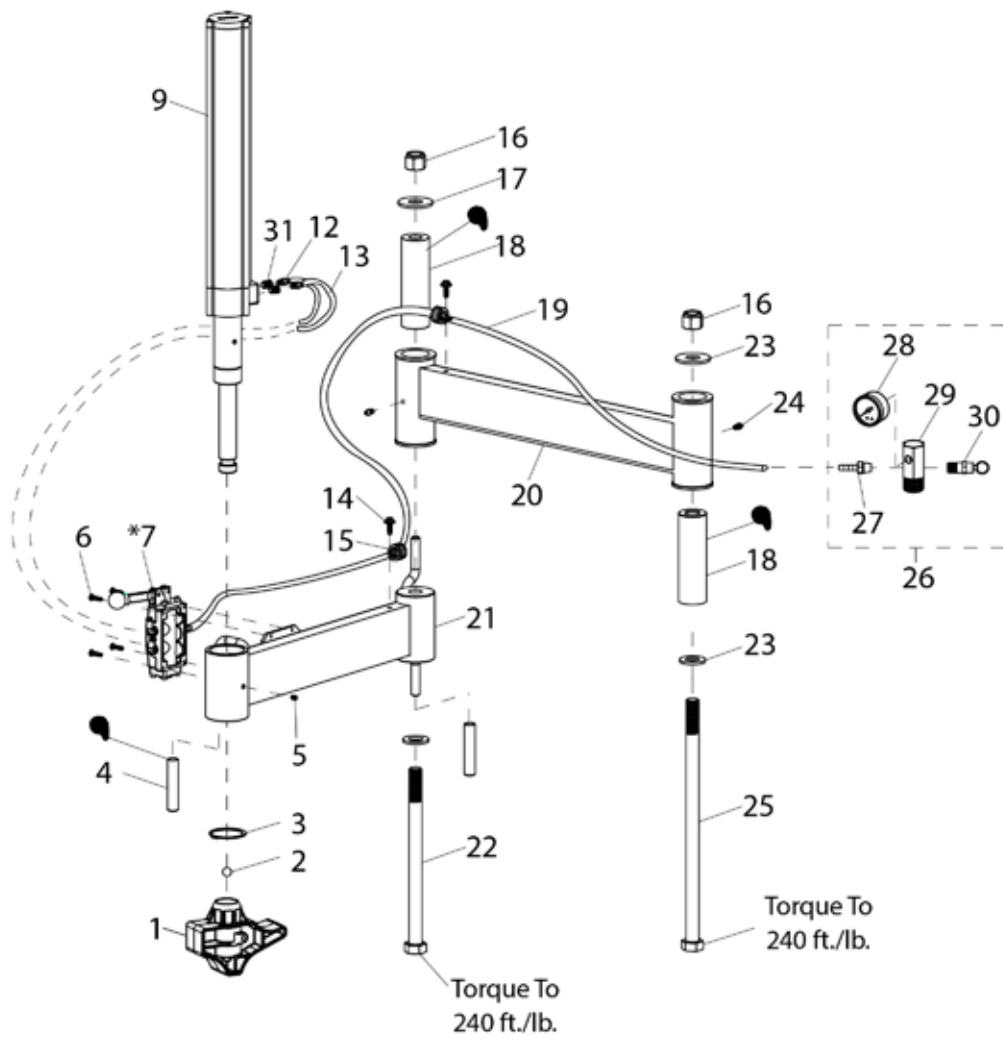
Item	Part No.	Description
1	85009167	Plastic Foot Hold Down
2	8301017	ø1/2" Steel Ball
3	8183637	ø2 Ext. Retaining Ring
4	7000230	1/2" Rubber Hand Grip
5	8183649	1/4-20 x 5/16" Soc Hd Set Screw
6	8181983	10-24 x 3/4 Lg. BHSCS
*7	8185757	Robo Arm Valve Assembly
9	85608884	Cylinder Assembly 2.5" Diameter
12	8181996	1/4 NPT x 1/8 Tube St. Fitting
13	**	1/8 x 6" Plastic Tube
14	8106301	1/4-20 x 3/4" Soc Hd HWHST Screw
15	8182044	Neoprene Cushion Clamp
16	8182016	3/4"-10 Nylon Insert Lock Nut, Gr.5
17	8100994	3/4" x 2" OD Flat Washer
18	8181038	Swing Arm Pivot Pin
19	**	1/4, 58" Black Rubber Hose
20	8184904	Rear Arm Weldment
21	8184905	Front Arm Weldment
22	8183703	3/4-10 x 10-1/2" HHCS, Gr5
23	8182457	3/4" x 1-1/2" OD SAE Flat Washer
24	8184226	1/4-28 Grease Fitting
25	8183635	3/4-10 x 14-1/2" HHCS, Gr.5
26	8184059	Manifold Assembly
27	8000378	1/4" Brass St. Fitting
28	8108968	Air Gauge
29	8183434	Manifold/Gauge
30	8182599	Safety Valve
31	8109481	1/4 NPT x 1/8 NPT RDCR Fitting

## IHose Reels

Item	Part No.	Description
50-ft.	85000375	1/4" ID x 1/2" OD Black Rubber Hose
50-ft.	85000376	1/8" OD x 0.25 Plastic Tube
100-ft.	85609142	3/8" OD x 0.05 Plastic Tube

**\*Valve Assemblies (available only as individual components, see page 22)**

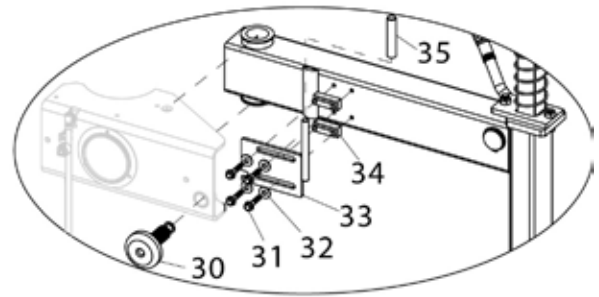
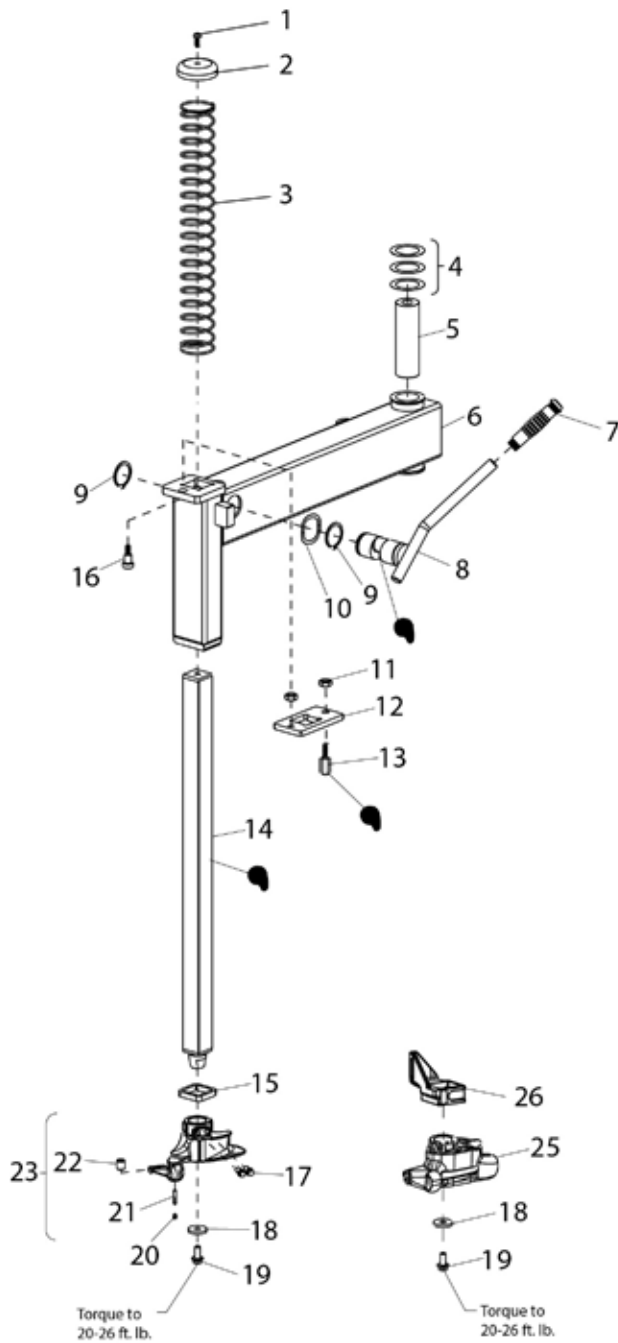
**\*\*Hose Reels**



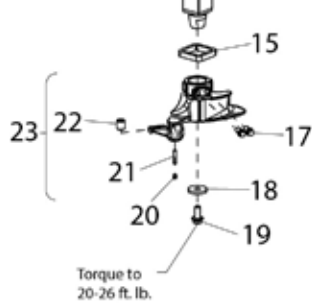
 **APPLY GREASE TO THESE LOCATIONS**

## Swing Arm Assembly

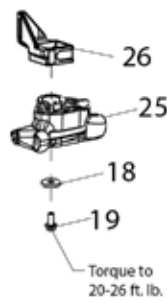
Item	Part No.	Description	Item	Part No.	Description
1	8183151	5/16-18 x 0.75 SBHCS, Gr.8	25	8183061	Duckhead Mount/Demount Tool Kit (Nylon)
2	8181771	Vertical Slide Knob	26	85607803	Roller Mount
3	8182028	Vertical Slide Spring	27	85606462	Bead Roller (Duckhead) Pkg.
	83031235	Vertical Slide Spring (Leverless)	28	8184432	Duckhead Mount/Demount Tool Kit (Grey)
4	8182339	Swing Arm Shim Kit	29	8183055	3/8-16 x 0.750 SBHCS Screw
5	8181038	Swing Arm Pivot Pin	30	85607820	Adjusting Lock Knob
6	8182820-2	Swing Arm, for R.H. Cam Lock	31	85000317	5/16-18 x 1-1/2 HSWHCS Screw, Zinc
	8182820-3	Swing Arm, Locking (Leverless)	32	8107635	5/16" Plain Washer
7	8100979	Handle Grip, Black Flex 3/4 I.D.	33	85607814	Lock Assembly
8	8183673	Lock Handle/Lift Cam W/C, R.H.	34	85607816	Lock Block
9	8181095	1-5/8 Snap Ring	35	7000230	1/2 x 3 Handle Grip
10	8182371	1-5/8 Dia. Wave Washer	36	85608961	Hybrid Duckhead Tail
11	8181113	1/2"-13 Jam Nut, Gr. 5	37	85608959	Hybrid Duckhead Mount/Demount Tool Lever Type
12	85606343	Lock Plate	38	8184600	Manual Bead Depressor
13	8181035	Lock Plate Lift Pin			
14	8182812	Vertical Slide Shaft			
15	8182031	Rubber Bumper			
16	85606344	1/2 x 5/8 Shoulder Screw			
17	8182813	3/8-16 x 3/4" Ctr Bore Cap Scr, Gr.8			
18	8182027	7 ga. x .406 ID x 1.28 OD Washer			
19	8106302	3/8" Whiz Lock Screw, Gr.5			
20	8140667	1/4-20 x 1/4 Soc.Hd.Set Scr, Gr.8			
21	8182786	5MM x 25MM Dowel Pin			
22	8182787	0.562 Diameter x 0.515 LG. Roller			
23	8182788	Duckhead® Mount/Demount Tool Kit (Metal)			



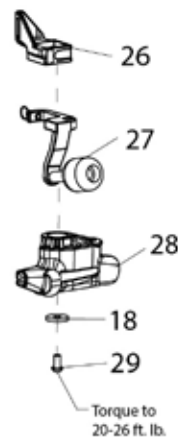
Swing Arm Locking Mechanism  
(Leverless Unit)



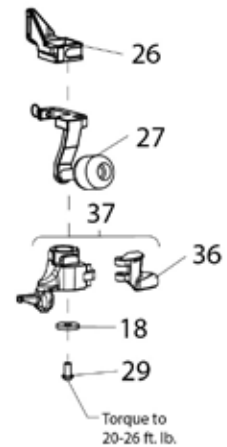
Steel  
DuckHead®  
Mount/Demount Tool



Nylon  
DuckHead  
Mount/Demount Tool



Grey  
DuckHead  
Mount/Demount Tool



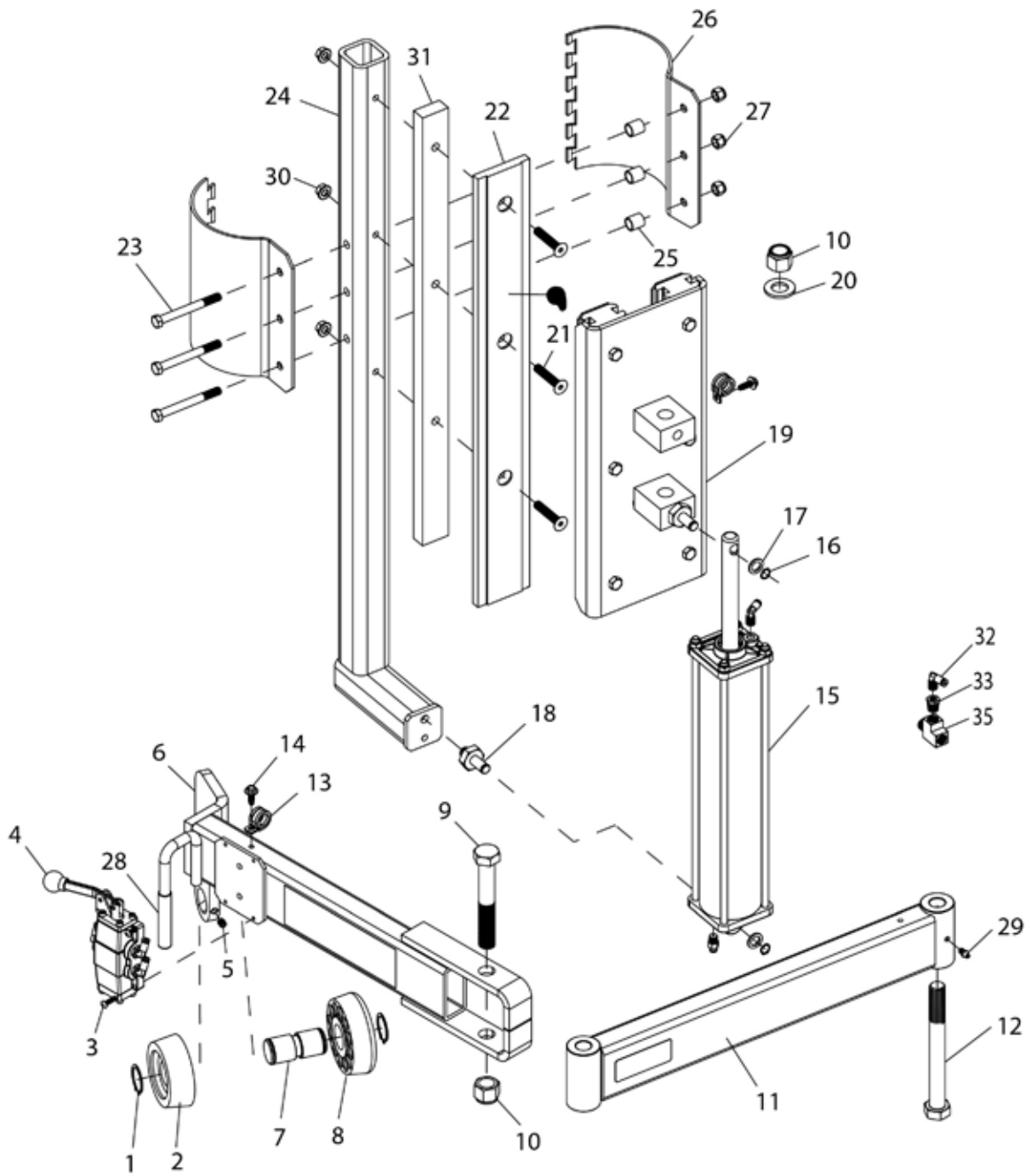
Hybrid  
DuckHead  
Mount/Demount Tool  
Lever Type

**Note:** Standard and optional mount/demount tools shown.

## Helper Arm Assembly

Item	Part No.	Description
1	8100964	1-1/4-inch Retaining Ring
2	8185593	Auxillary Arm Small Roller
3	8181983	10-24 x 5/8 BHSCS, Gr.8
*4	85609907	Helper Arm Valve Assembly
5	8180217	5/16-18 x 3/8-inch Set Screw
6	85609884	Front Arm Weldment
7	8185594	Auxillary Roller Shaft
8	8185592	Auxillary Arm Large Roller
9	8182579	HHCS Screw
10	8182016	3/4-10/E23 Nylon Hex Nut
11	85609886	Rear Arm Weldment
12	85610016	3/4-10 x 7 HHCS Screw, Gr.5
13	8182044	Neoprene Cushion Clamp
14	8106301	1/4" Hex Hd Self Tap Screw, Gr.5
15	85607010	3-inch Cylinder Assembly
16	85606919	Ext. Retaining Ring
17	8185035	13mm Flat Screw
18	85609897	Cylinder Rod End
19	85610249	Vertical Slide
20	8182457	Washer
21	85610284	SCS Flat HD Screw
22	85610250	Long Guide Gib
23	8143815	3/8-16 x 3-1/2 HHC Screw
24	85609885	Tube Bracket Weldment
25	8181872	Torsion Spring Sleeve
26	85609899	Female Half Clamp
27	8301035	3/8-16 Hex Nyloc Nut
28	7000230	1/2" Rubber Hand Grip
29	8184226	1/4-28 Grease Fitting
30	8106303	3/8" Whiz Lock Nut, Gr.5
31	85610241	Spacer
32	8181997	90° Elbow 1/8 NPT x 1/8" Fitting
33	8109481	1/4 NPT x 1/8 NPT RDCR Fitting
34	871101642	1/4 NPTMX, 1/4F TEE FITTING

**\*Valve Assemblies (available only as individual components, see page 22)**



## Foot Pedal Assemblies

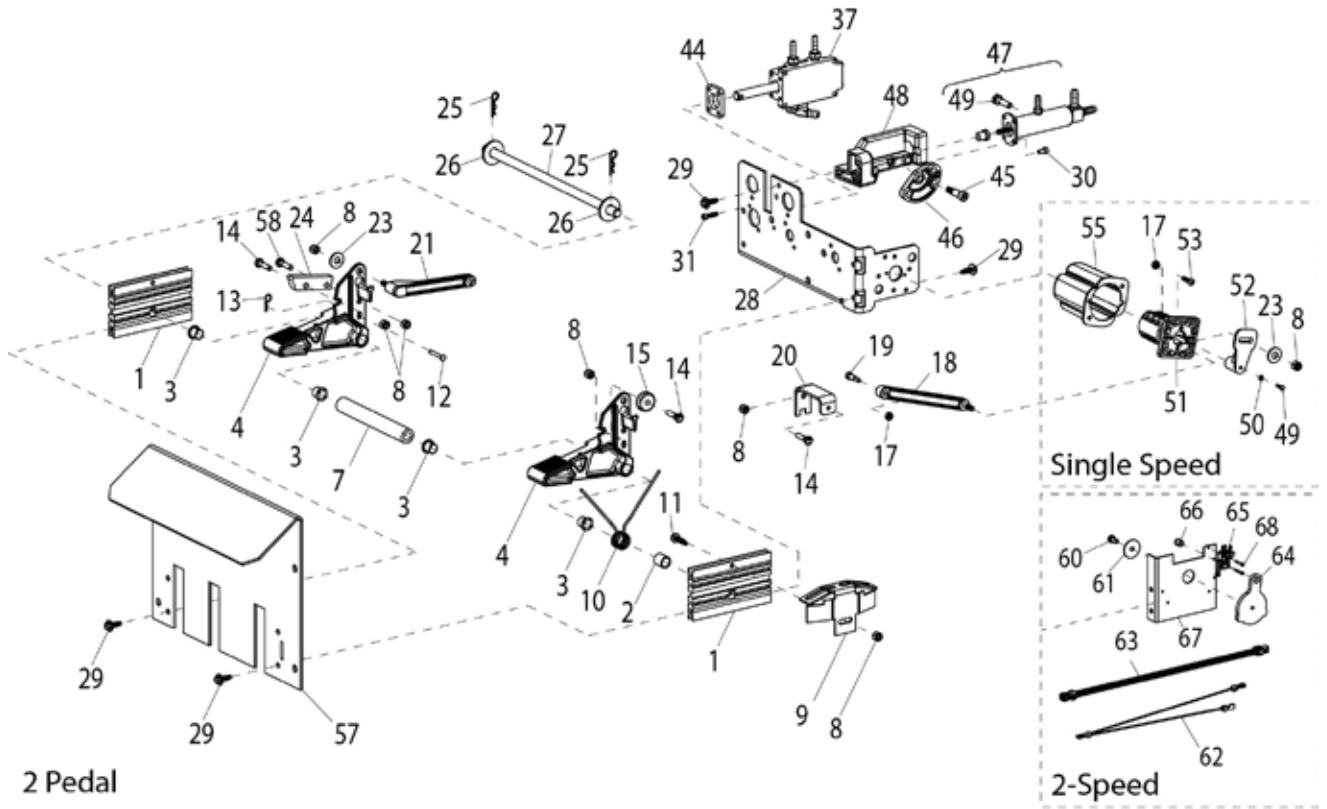
### Electric Model Foot Pedal Assembly

Item	Part No.	Description	Item	Part No.	Description
1	8181918	Valve Brkt. Spacer Bar	50	8301072	#6 Internal Tooth Lk Washer
2	8181872	Torsion Spring Sleeve	51	8182958	Reversing Switch, Kit
3	8181948	1/2" Nylinder Bearing	52	8181728	Switch Actuator Lever
4	8181675	Standard Pedal	53	8181983	10-24 x 5/8 BHSCS, Gr.8
5	8182327	Pedal Spacer	55	8181959	Cover-Switch
6	8181911	Pedal Spacer	57	8182332	Guard-Foot Pedal
7	8182358	Pedal Spacer	58	8106455	Clevis Pin
8	8181369	1/4-20 Lock Nut, Nyl. Ins. Gr.5	59	8103737	Release Valve
9	8182670	Spring Stop Bracket	60	902189	1/4-20 x.504 HHCS
10	8181707	Torsion Spring	61	8111032	1/4" Heavy Fender Washer
11	8104945	1/4 x 1 HWHSTC, Gr.5	62	85609741	2-Speed, 2-Wire Harness
12	8181977	3/16" x 1-1/2" Clevis Pin	63	85609742	2-Speed, 4-Wire Harness
13	8120469	Hair Pin Cotter	64	85609743	Disk Switch
14	8181984	1/4-20 x 1" Hx.Hd.Cp.Scr., Gr.5	65	85609746	Foot Pedal Switch
15	8181923	Stop Washer	66	85609748	1/4-20 Allen Nut
17	8182682	10-24 Nylon Insert Lock Nut Gr.5	67	85609917	2-Speed, Switch Plate
18	8181699	Lever Assembly - Switch	68	95000064	#4-40 x 3/4 Lg. SHC Screw
19	8182743	10-24 x 3/8 SHCSS Gr.8			
20	8182363	Spacer - Sw Pedal Lever-Red			
21	85010038	Cam Lever Follower			
23	8107635	5/16" Flat Washer			
24	85608197	Pedal Stop			
25	8111609	Hair Pin Cotter			
26	8301121	Washer			
27	8183398	Pedal Shaft			
28	85009985	Valve Mounting Bracket			
29	8106301	1/4" Hex Hd Self Tap Screw, Gr.5			
30	8181989	10-24 x 3/8 SHCS, Gr.8			
31	8182001	10-24 x 3/4 SHCS			
37	85600262	Valve Assembly			
38	8182588	Valve Assembly			
44	85009982	Spacer-Valve, Clamp, TT			
45	8301537	5/16-18 x 1/2 SHSHS Screw			
46	85008195	Pivot Link			
47	8184675	Oil Injector Assembly			
48	85608560	Block-Lower Stop Pedal			
49	8103737	Release Valve			

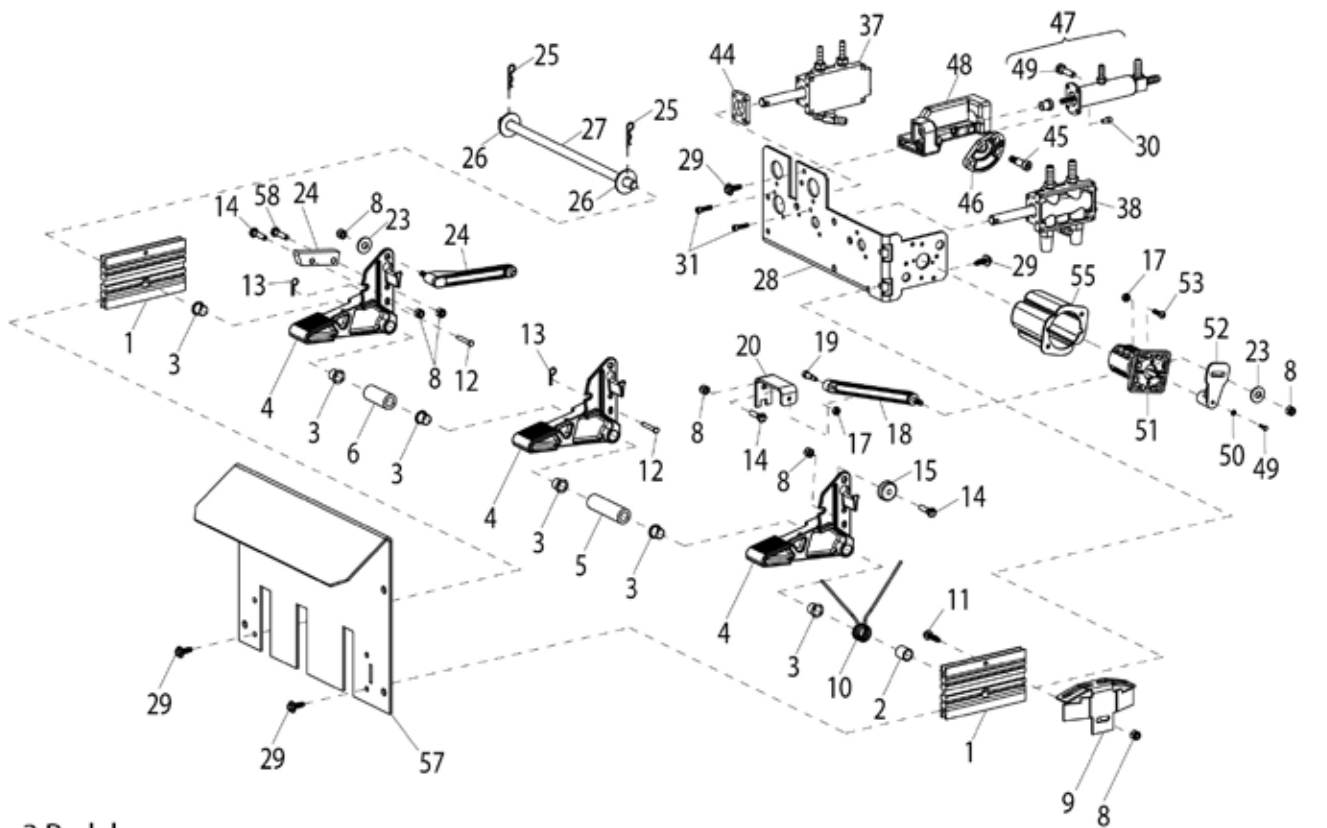
**\*Valve Assemblies (available only as individual components, see page 22)**

\*\*Accessory Item

# Foot Pedal Assembly (Elec.)



2 Pedal



3 Pedal

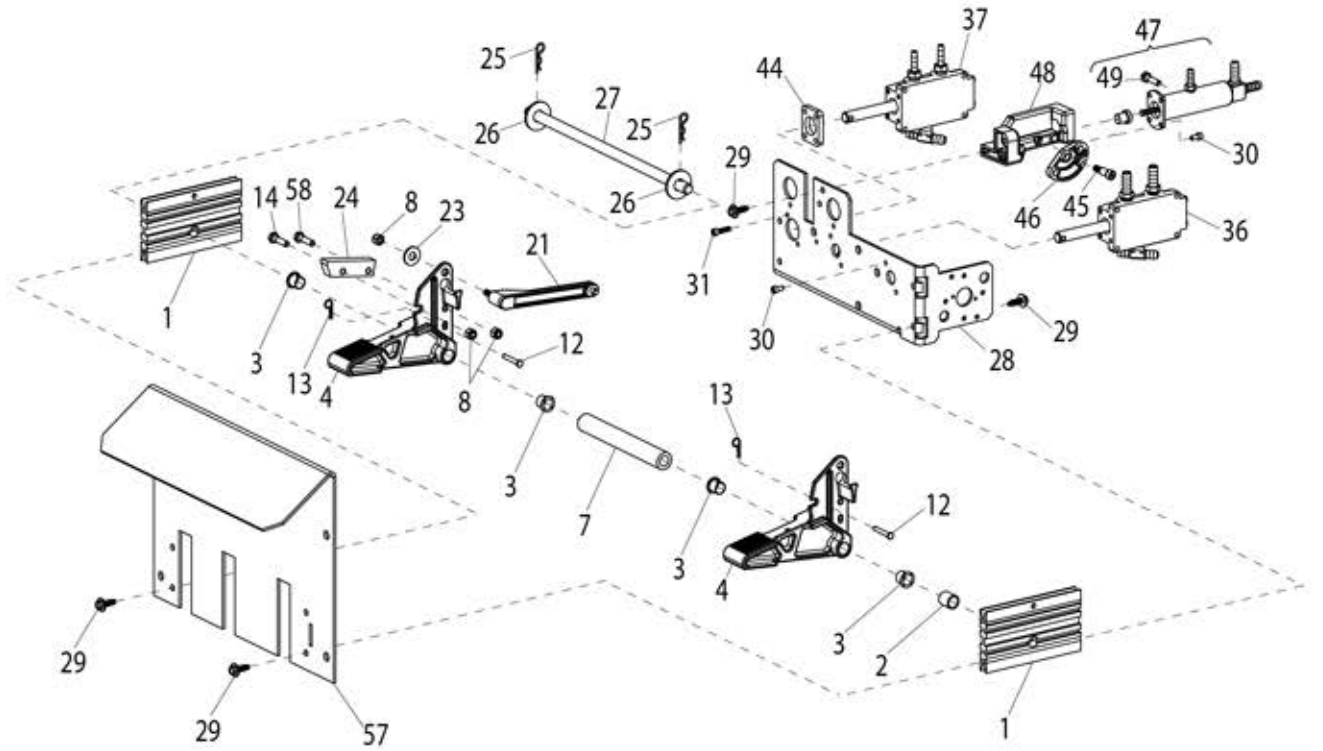
## Air Model Foot Pedal Assembly

Item	Part No.	Description
1	8181918	Bar-Valve Brkt. Spacer
2	8181872	Torsion Spring Sleeve
3	8181948	1/2" Nylinder Bearing
4	8181675	Standard Pedal
5	8182327	Pedal Spacer
6	8181911	Pedal Spacer
7	8182358	Pedal Spacer
8	8181369	1/4-20 Lock Nut, Nyl. Ins. Gr.5
12	8181977	3/16" x 1-1/2" Clevis Pin
13	8120469	Hair Pin Cotter
14	8181984	1/4-20 x 1" Hx.Hd.Cp.Scr., Gr.5
16	8181708	Pedal Extension Spring
21	85010038	Cam Lever Follower
23	8107635	5/16" Flat Washer
24	85608197	Stop-Pedal
25	8111609	Hair Pin Cotter
26	8301121	Washer
27	8183398	Pedal Shaft
28	85009985	Valve Mounting Bracket
29	8106301	1/4" Hex Hd Self Tap Screw, Gr.5
30	8181989	10-24 x 3/8 SHCS, Gr.8
31	8182001	10-24 x 3/4 SHCS
36	8182066	Valve Assembly
37	85600262	Valve Assembly
38	8182588	Valve Assembly
40	85600263	Valve Assembly
44	85009982	Spacer-Valve, Clamp, TT
45	83015371	5/16-18 x 1/2 SHSHS Screw
46	85608195	Pivot Link
47	8184675	Oil Injector Assembly
48	85608560	Block-Lower Stop Pedal
49	8103737	Release Valve
57	8182332	Foot Pedal Guard
58	8106455	Clevis Pin

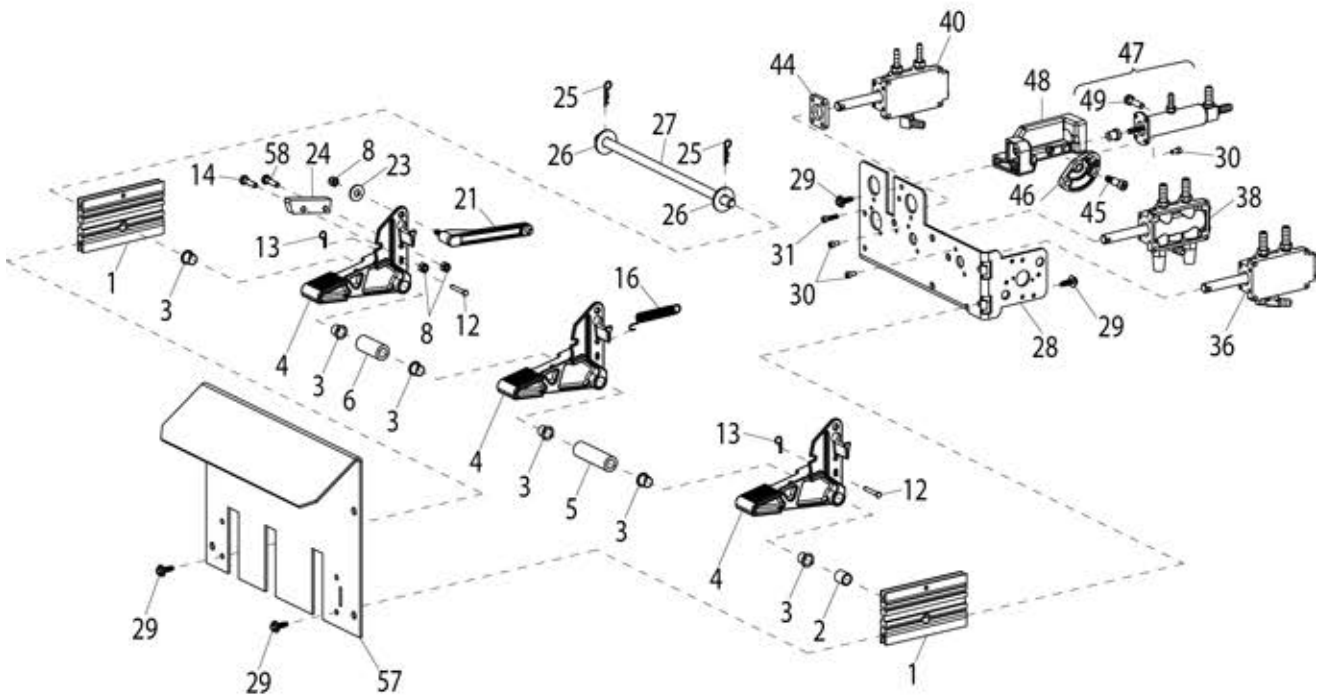
**\*Valve Assemblies (available only as individual components, see page 22)**

\*\*Accessory Item

# Foot Pedal Assembly (Air)



## 2 Pedal



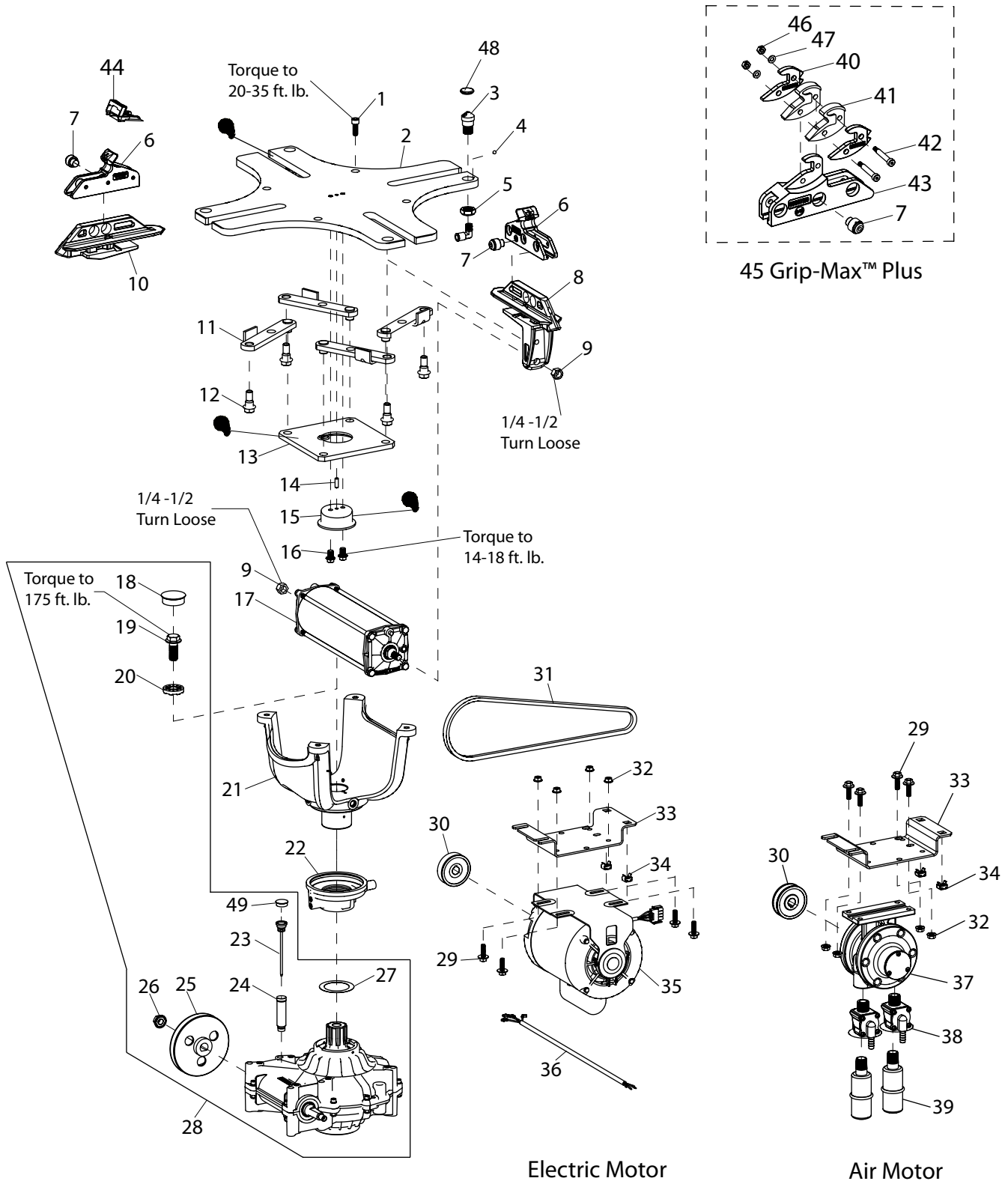
## 3 Pedal

## Table Top and Shaft Housing Assembly

Item	Part No.	Description	Item	Part No.	Description
1	8181929	3/8-16 x 1", Gr.8 Skt. Hd. Cap Scr.	31	8180047	Motor V-Belt, 4L380
2	8181704	Table Top Plate		85608496	Motor V-Belt, 4L390
3	8182024	Inflation Nozzle	32	8182178	5/16-18, Hex. Whiz Lock Nut
4	8182025	1/4" Steel Ball	33	85609921	Motor Mounting Bracket
5	8182083	3/4" Jam Nut	34	8143044	Tinnerman Sq. Captive Nut 3/8-16
6	8184126EX	Adjustable Rim Clamp	35	8184691	Motor, Electric 115V
7	8182250	Adj. Clamp Plunger/Spring Assy.		8182621	Motor, Electric 220V, 50Hz, 1ø
8	8182248	Carrier/Cover - Cylinder End		85609751	Motor, Electric 115V, 60Hz, 2-speed (90x only)
9	8101039	1/2" Lock Nut, Gr.5	36	8184562	Motor Cable Assy, 4-wire w/plug, 115V
10	8182249	Carrier/Cover - Clamp Adj.		8181511	Motor Cable Assembly, 4-wire, 220V
11	8181734	Pivot Link W/C	37	8181190	Air Motor, Gast. 6AM
12	8182279	Adj. Clamp Link Bolt	38	85606398	Exhaust Valve
13	8181731	Table Top Pivot Plate	39	8181206	1/2" NPT Muffler
14	8183476	ø1/4" x 3/4" Roll Pin	40	85607160	3-position Laminated Clamp Cover Plus Points
15	8181733	Pivot Block		85607429	3-position Laminated Clamp Cover Plus w/o Points
16	8183452	5/16-18 x 5/8" Flange Whiz-lock Scr.	41	85607161	Laminated Clamp Plus Grip
†17	8182613	Table Top Cylinder Assembly	42	85000610	1/4 x 1-1/4 x #10-24 Shoulder Screw
18	8182627	1-5/8" Dia. Cap Plug	43	85607159	3-position Laminated Clamp Plus
19	8181742	16MM x 40mm Hex Head Bolt Gr.10.9	**44	8183604	Bootie Kit, Rim Clamp, Pkg of 10
20	8182979	ø16mm Molded Washer	**45	85607787	Grip Max Plus™, Laminated Clamps, Pkg. of 4
21	8181990	Spider Assembly		85607786	Grip Max Plus™, Laminated Clamps (External Clamp Only), Pkg. of 4
22	8182619	Rotary Coupling Assembly	46	8182682	#10-24 Rvsble Hex Lk Nut
23	8182186	Transmission Dipstick & Tube	47	8301805	#10 Washer
25	85606734	Transmission Pulley (3-hole)	48	85609097	Hole Plug (Table w/o Inflation Jets)
	85607708	Transmission Pulley (4-hole)	49	85610108	Transmission Hole Plug
	8181658	Transmission Pulley (6-hole)			
26	8140567	1/2-13, Hex. Whiz-lock Nut			
27	8183156	ø2" X ø2 3/4" x .010 Washer			
28	85608497	Transmission Kit			
29	8120325	5/16-18 x 1 Ser. Wash.Hd.Scr., Gr.5			
30	8184674	Motor Pulley			

†Cylinder Assemblies

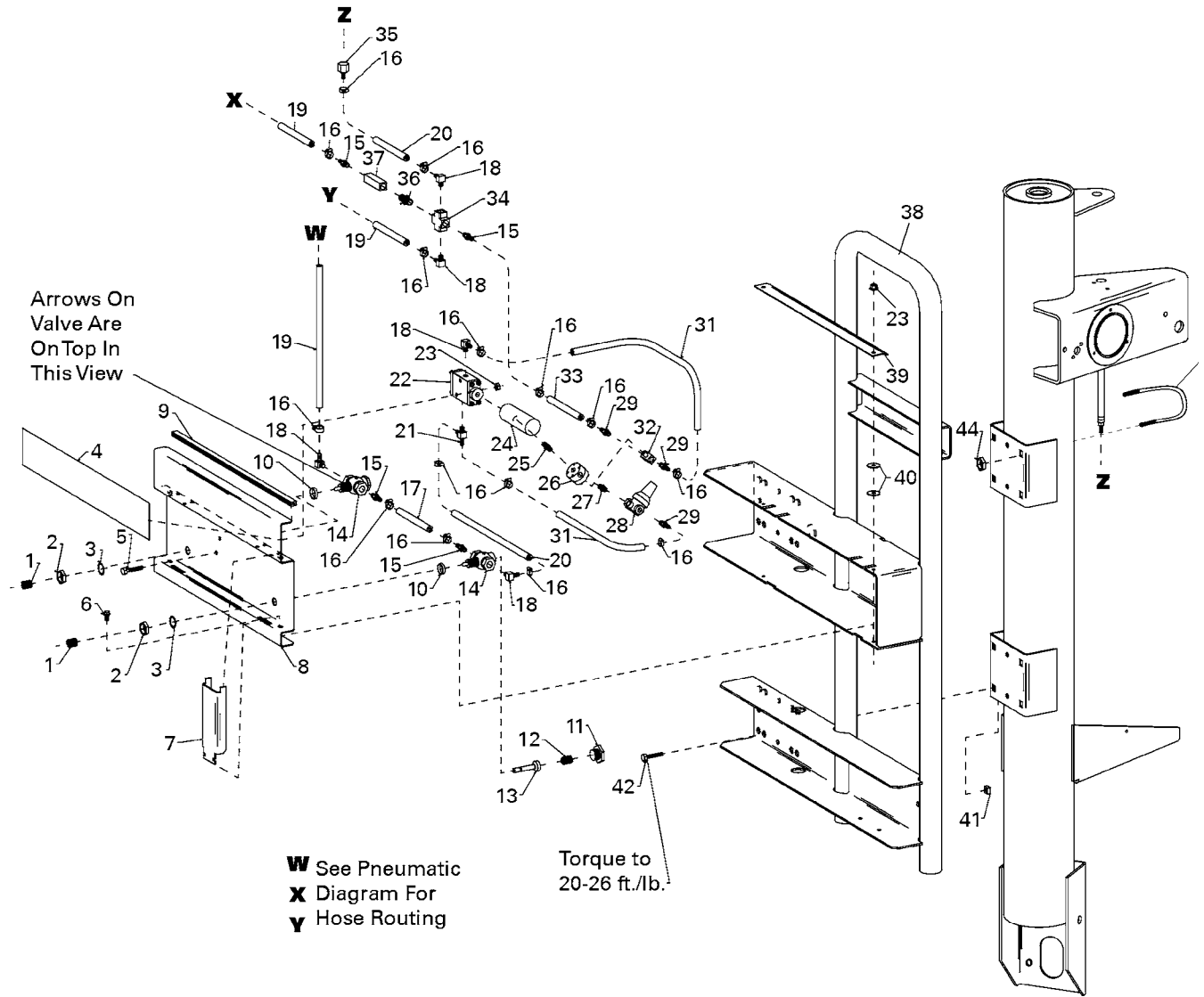
\*\*Accessory Item



 APPLY GREASE TO THESE LOCATIONS

## Inflation Guard Assembly - 6065, 7665

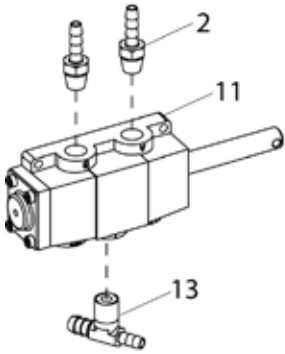
Item	Part No.	Description	Item	Part No.	Description
1	8182318	Handle Spring-B.L. (7665)	19	8182090	3/4" x 61" Lg. Hose
2	8104611	5/8" N.F. Jam Nut Gr.5	31	8102048	ø1/4" x 15" Hose
3	8104613	5/8" Ext. Tooth Lock Washer	32	8110328	1/8" NPT Tee
4	8182981	Warning Decal	33	8181213	ø1/4" x 3" Hose
5	8120408	1/4-20 x 1-3/4 H.H. Cap Scr., Gr.5	34	8182367	1/4 NPT Brass Cross Fit.
6	8106301	1/4" Hex Hd Self Tap Screw, Gr.5	35	8108605	Female Coupling Assembly
7	8182862	Valve Actuator	36	8000580	1/4 NPT Close Nipple
8	8182842	Front Cover	37	8104969	Check Valve
9	8183067	19" Trim Strip	38	8183120	Inflation Guard Pkg
10	8104673	Bushing, 1/4" Valve	39	8183237	Safety Cage Handles Cover
11	8105671	End Cap, 1/4" Valve	40	920531	ø1" x 0.281 x 0.063 Washer
12	8102468	Poppet Spring, 1/4" Valve	41	8301035	3/8-16 Nylok Nut
13	8104649	Poppet, 1/4" Valve	42	8106302	3/8" Whiz Lock Screw, Gr.5
14	8104600	1/4" Valve Comp.	43	8182846	1/2-13 x 5 U-Bolt
15	8000378	1/4" Brass St. Fitting	44	8301122	0.500-13 NYLK Hex Nut
16	85606362	Hose Clamp-13mm Spring			
17	8103649	ø1/4 x 12" Hose			
18	8000376	ELL 90° 1/4 Hose Fitting			
20	8106289	ø1/4" x 22" Hose			
21	8110325	1/4" NPT Male Run Tee			
22	8109466	Piloted Valve			
23	8143169	1/4-20 Whiz Lock Nut, Gr.5			
24	8110496	Volumn Chamber			
25	8109471	1/8" Brass Hex Nipple			
26	8109468	Pressure Repeater			
27	8109472	1/8" Inline Filter			
28	8111083	Regulator			
29	8104844	1/8 NPT x 1/4 Hose St Fitting			



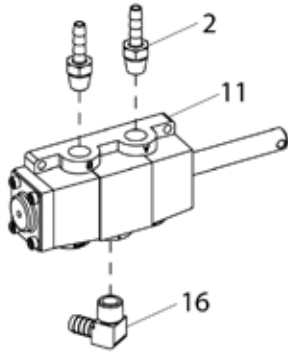
\* Not Standard On All Models

 Apply Grease To These Locations

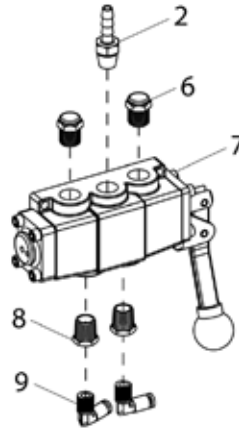
## Valve Assemblies



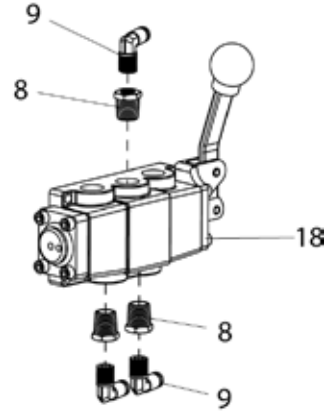
**Table Top Clamp Pedal Valve Assembly**



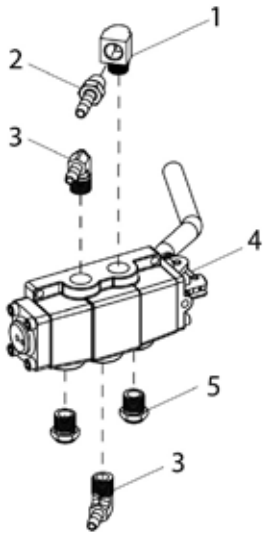
**Table Top Clamp Pedal Valve Assembly**



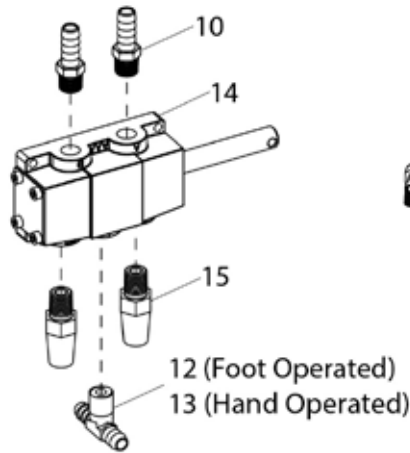
**Robo Arm Valve Assembly**



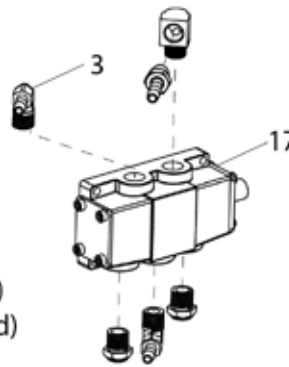
**Helper Arm Valve Assembly**



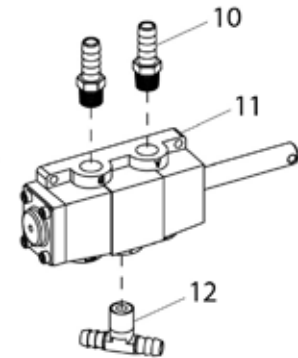
**Bead Loosener Arm Valve Assy (old style)**



**Bead Loosener Arm Valve Assembly**



**Bead Loosener Arm Valve Assembly**

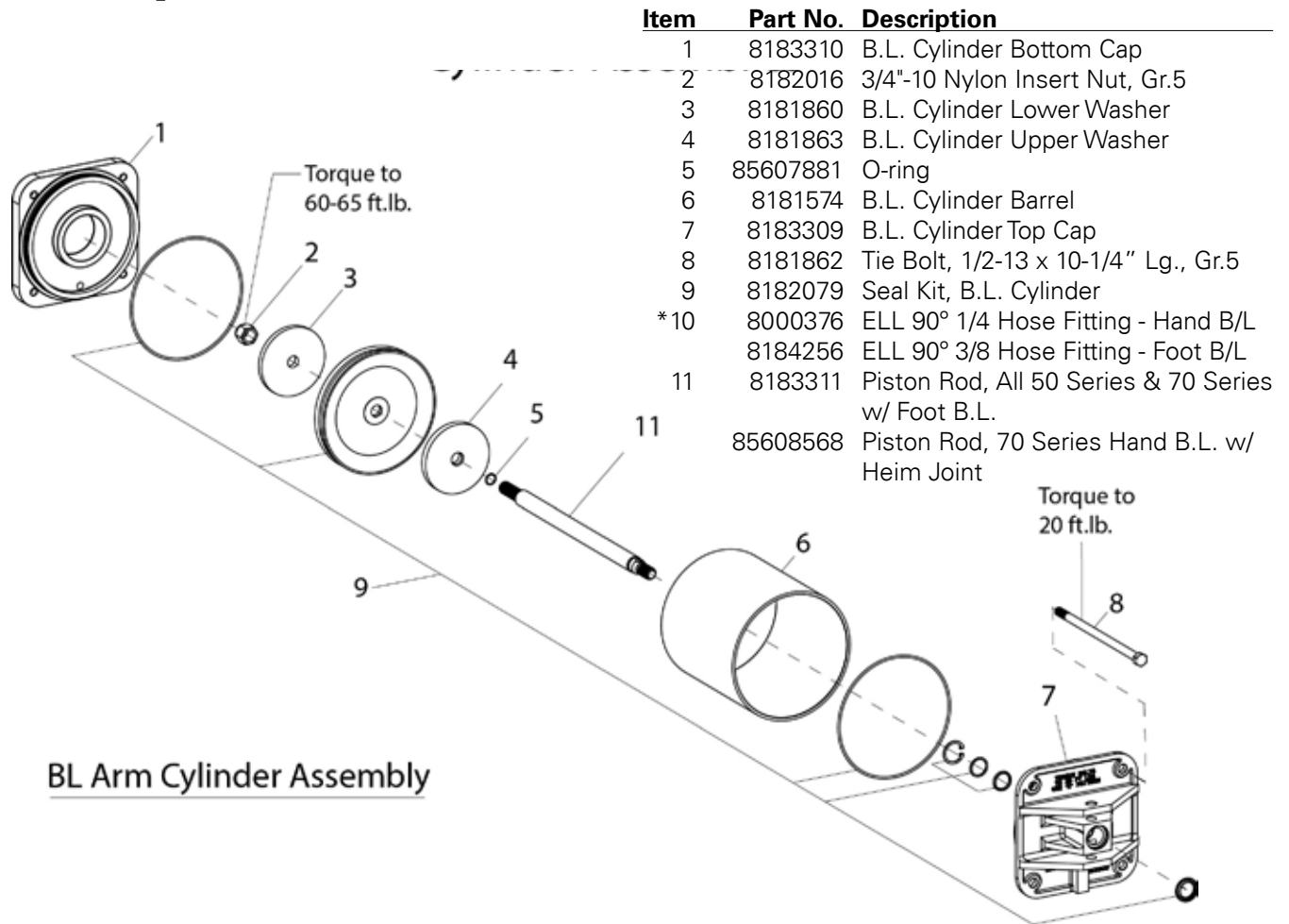


**Air Motor Pedal Valve Assembly**

Item	Part No.	Description
1	8000372	1/4 NPT, 90° St. ELL Fitting
2	8000378	1/4" Brass St. Fitting
3	8000376	ELL 90° 1/4 Hose Fitting
4	8185581	3 Position w/Handle Valve
5	85607855	1/4 NPT Muffler, Small
6	8105615	Small Muffler
7	8185585	3 Position Valve
8	8109481	1/4 NPT x 1/8 NPT RDCR Fitting
9	8181997	90° Elbow 1/8 NPT x 1/8" Fitting
10	8101898	St. 1/4" NPT 3/8" Hose Fitting
11	8184369	4-Way w/Pull Pin Valve
12	8184467	1/4" NPT x 3/8 BRB x 3/8B Tee Fitting

Item	Part No.	Description
13	8184469	1/4" NPT x 3/8 BRB x 1/4B Tee Fitting
14	8181986	4-Way w/Pull Pin Valve
15	906960	1/4 NPT Muffler
16	8184256	1/4 NPT, 1/4 HSE ELL Fitting
17	8184878	4-way Valve, Pedal Operated
18	85609908	3 Position Valve

## Cylinder Assemblies



BL Arm Cylinder Assembly

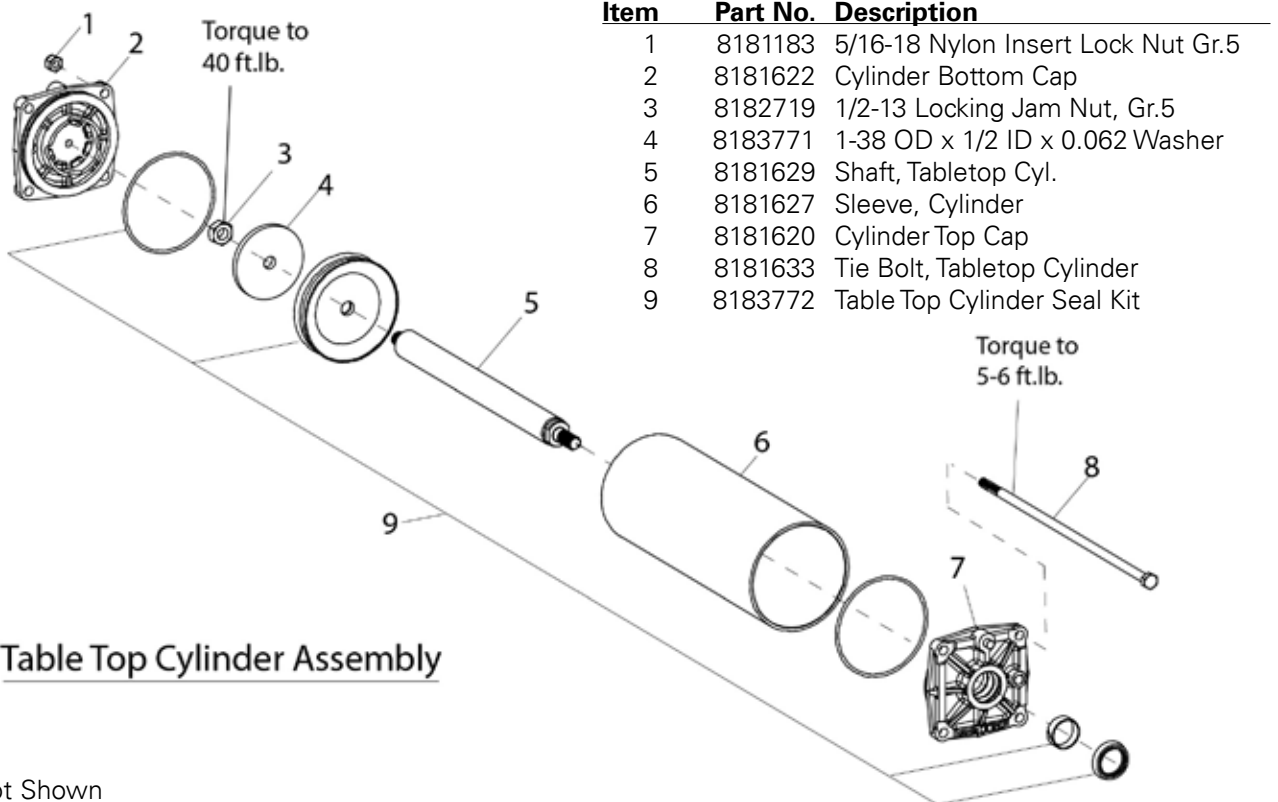
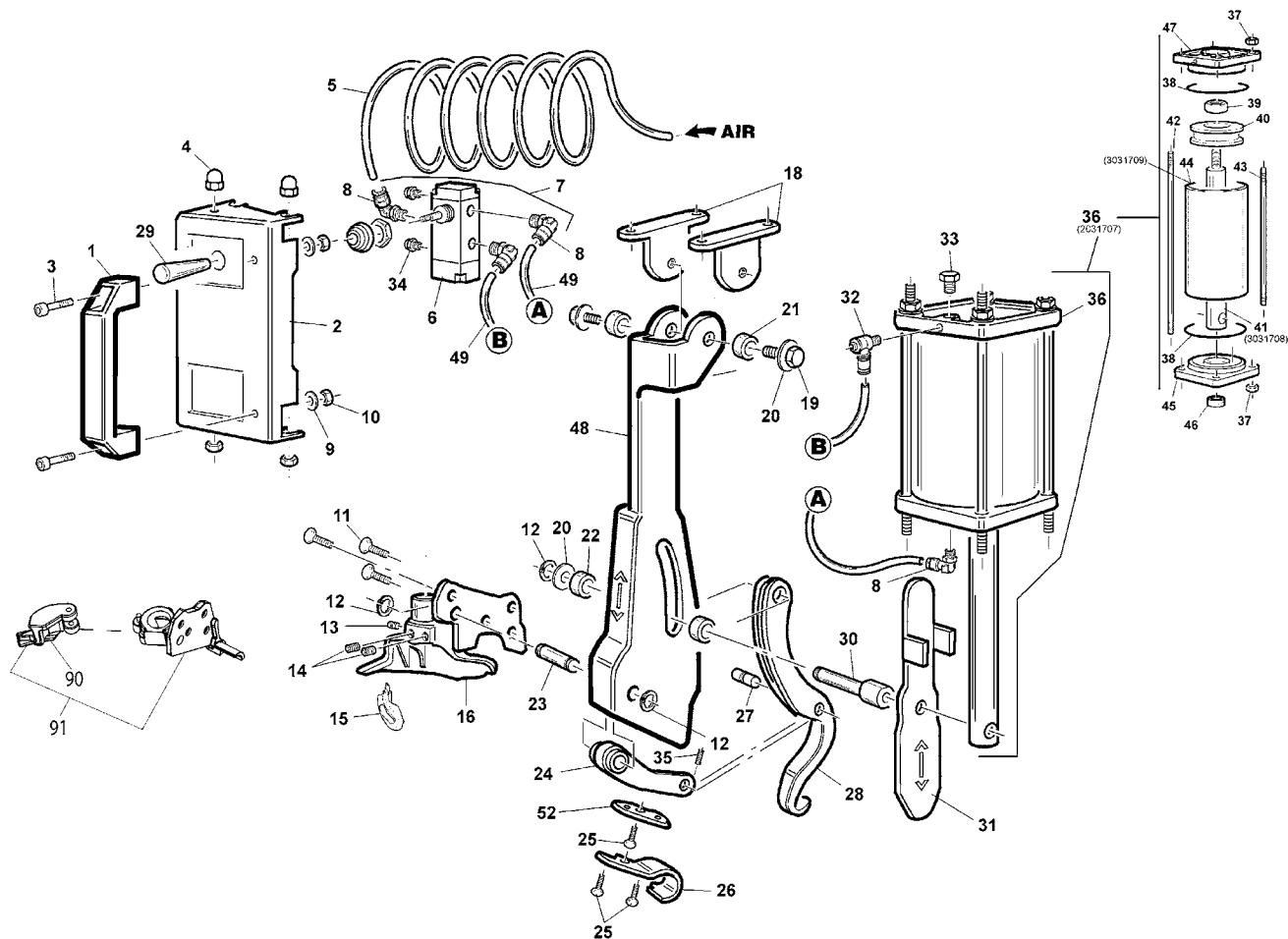


Table Top Cylinder Assembly

\*Not Shown

Item	Part No.	Description
1	8183310	B.L. Cylinder Bottom Cap
2	8182016	3/4"-10 Nylon Insert Nut, Gr.5
3	8181860	B.L. Cylinder Lower Washer
4	8181863	B.L. Cylinder Upper Washer
5	85607881	O-ring
6	8181574	B.L. Cylinder Barrel
7	8183309	B.L. Cylinder Top Cap
8	8181862	Tie Bolt, 1/2-13 x 10-1/4" Lg., Gr.5
9	8182079	Seal Kit, B.L. Cylinder
*10	8000376	ELL 90° 1/4 Hose Fitting - Hand B/L
	8184256	ELL 90° 3/8 Hose Fitting - Foot B/L
11	8183311	Piston Rod, All 50 Series & 70 Series w/ Foot B.L.
	85608568	Piston Rod, 70 Series Hand B.L. w/ Heim Joint

# Leverless Bead Lifter



Item No	Part No.	Description
1	84297851	Handle
2	87019215	Valve Box
3	84399954	8 x 20 Screw
4	84395374	M8 Nut
5	83030571	6 x 4 Spiral Hose, L=1500
6	84198285	5-way Valve
7	82006996	Valve
8	84198618	1/8" Union
9	84399829	8 (8, 4 x 16 x 1,5) Washer
10	84399900	M8 Self-locking Nut
11	84393957	10 x 12 Screw
12	84399864	D.12 Seeger Ring
13	84395530	12 x 2 Screw
14	84393346	Screw
15	89233409	Back Slide
16	83033830	Touchless Mounting Tool
18	83019202	Connection Plate
19	84399434	12 x 20 Screw
20	84398637	ID 12 x 21 x 2, 5 Washer
21	83017334	12/18/8, 2 Bush
22	83017302	12/18/6, 5 Ferrule
23	83019210	Pin - 54mm long
24	83019214	Connection Rod
25	84393753	5 x 8 Screw
26	89233409	Front Slide
27	83019212	Tool Pin - 26mm long
28	83019213	Touchless Tool
29	83010284	D.14 x 45 M5 Control Handle
30	83019211	Cylinder Pin
31	83019561	Support Plate
32	84194004	MR 41 6 M6 Union
33	84199161	1/8" Plug
34	84199610	1/8" Silencer
35	84399957	6 x 8 Screw
36	82031707	Cylinder Unit
37	84399976	Nut M8
38	84298822	O-ring D.68, 26 x 3, 53
39	84399865	Self-locking Nut M12
40	84198856	D.75 Piston
41	83031708	Cylinder Shaft

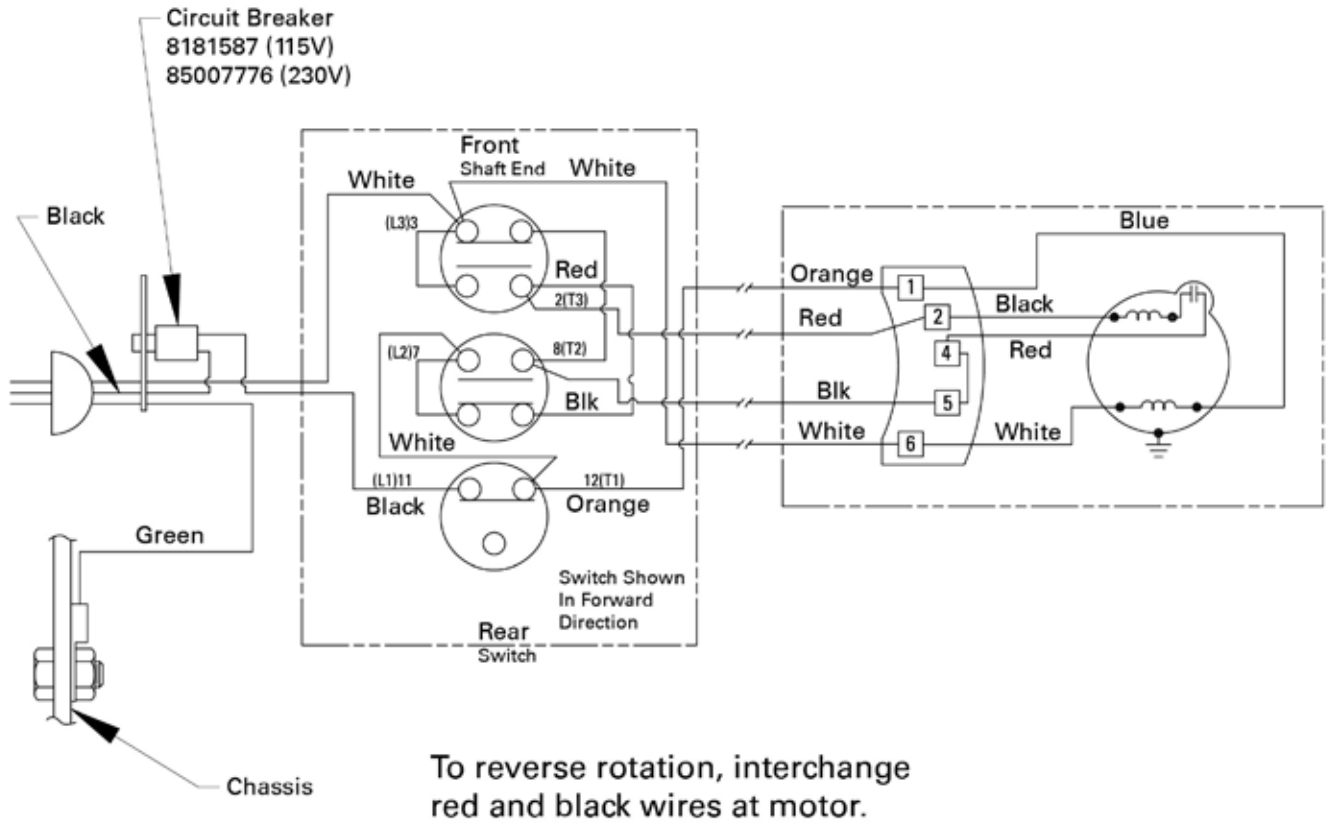


<u>Item No</u>	<u>Part No.</u>	<u>Description</u>	<u>Item No</u>	<u>Part No.</u>	<u>Description</u>
42	83019208	8 x 1, 25 x 180 Special Screw	64	8101898	3/8" Barb
43	83019204	M8 X 1, 25 x 164 Special Screw	65	8000643	Tee
44	83031709	Cylinder Liner L=125	67	84395804	2 x 35 x 5, G Type 14, Washer
45	83015024	Flange	68	84395805	2 x 21 x 4, C Type 10, Washer
46	83199601	Scraper	69	8107715	3/8-16 UNC Screw, L=1.25"
47	83019467	D.75 SO Side Hole M6 Back Flange	*85	84199461	Adapter
48	87019199	Tool Holder	*86	84194089	1/8" Union
49	83019959	6 x 6 Hose L=240	*87	84194088	Quick Union
51	84396878	12 x 25 x 0, 5 Steel Shim	*88	84198993	1/8" Quick Union
52	83031595	Threaded Tab	*89	84199026	Union
53	8099053	1/4" Hose L=7.5 Ft	90	85608961	Hybrid Duckhead® Tail
54	83031235	Spring	91	85608960	Hybrid Duckhead, Mount/Demount Tool, Leverless
55	8106301	1/4-20 Screw			
58	8182044	Hose Clamp			
59	85606362	1/4" Clamp			
60	8000378	1/4" Barb			
63	85606363	3/8" Clamp			

\*Not Shown

# Electrical Schematics

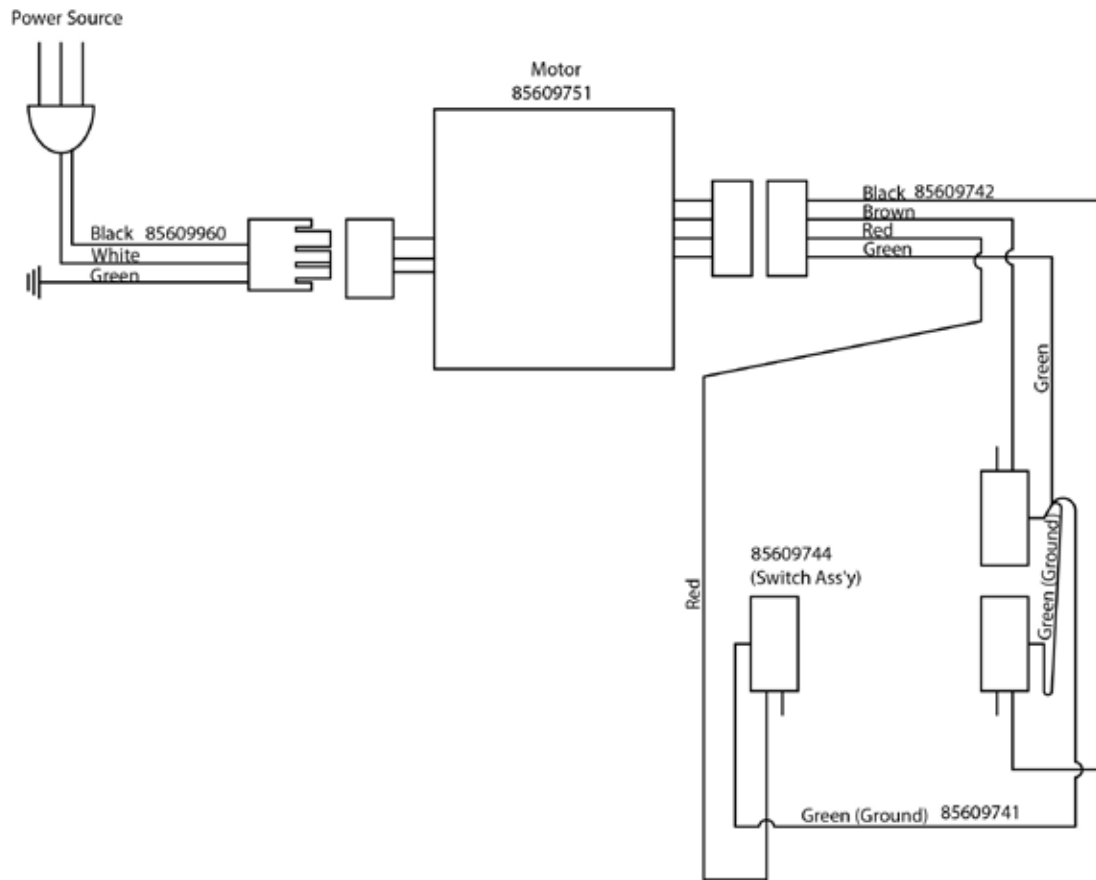
## Domestic and C.S.A.



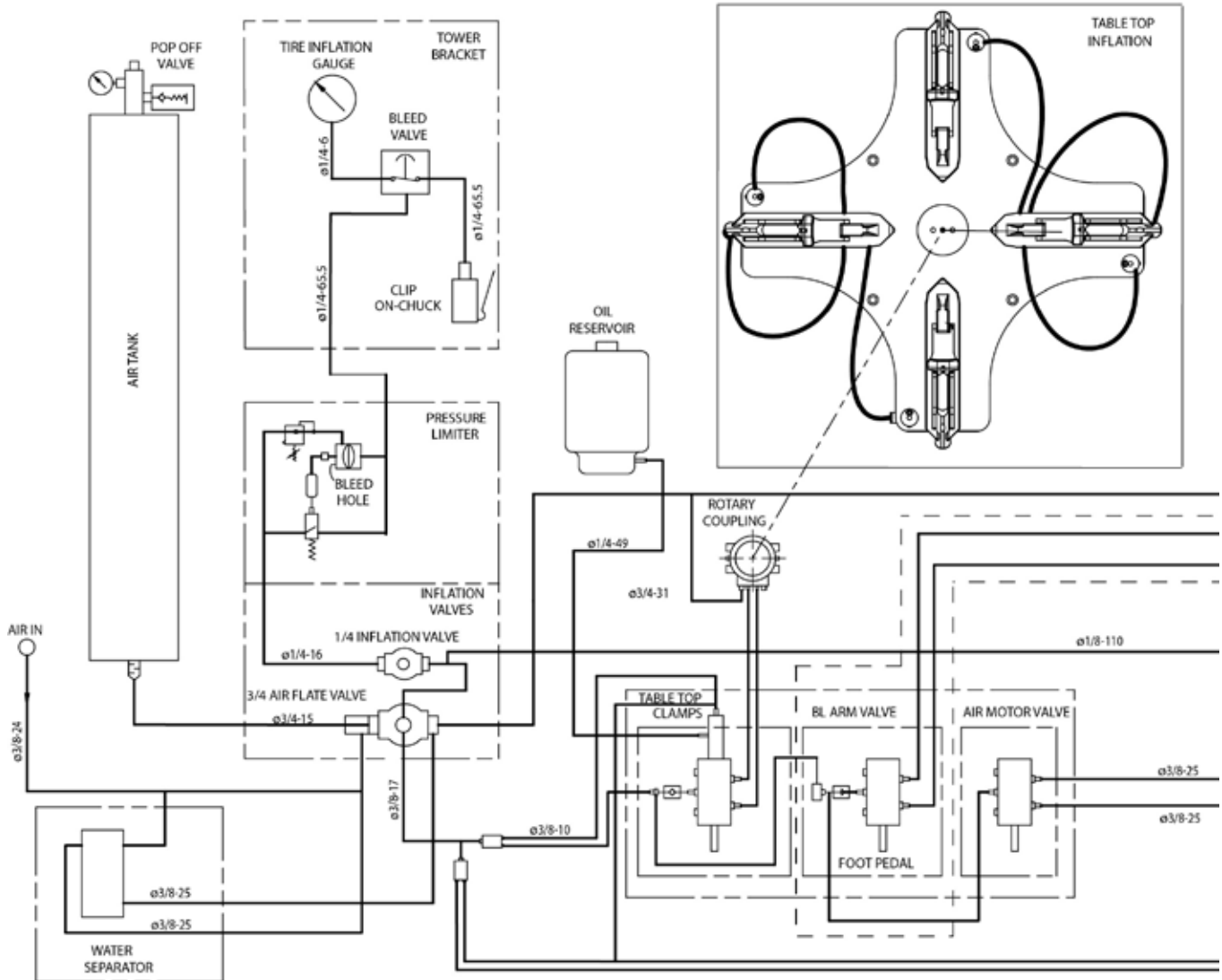
### Power Cords

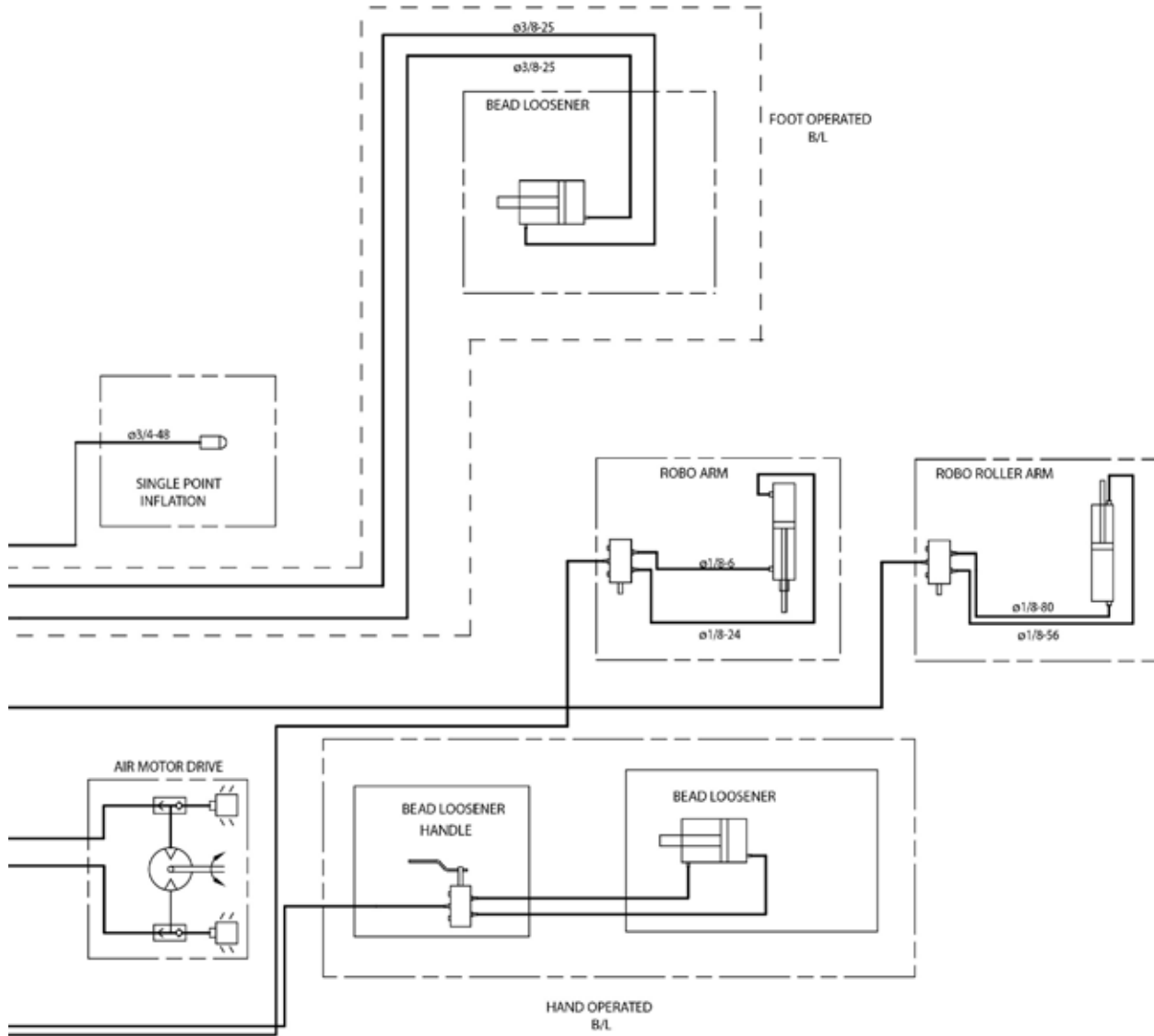
Part No.	Description
8182257	115V
8184962	220V, 50 Hz
85606402	China Only
85609034	Australia Only

# 115V Motor, 2-speed



# Pneumatic Diagram





**Note:** All possible tire changer options are displayed. Your tire changer will include the options specified by the model number.

## **Notes**



# Rim Clamp® Tire Changer

## All-Air Unit Compressed Air Requirements

COATS® Rim Clamp® tire changers that are powered entirely by air (no electric motor) require a single compressed air power source. Refer to the table below for exact specifications.

Tire Changer Model	Compressor Size	Capable of
All	5 HP	14-15 SCFM at 150 PSI

## Oil Injector Maintenance

The oil injector (on units so equipped) typically require annual service. The oil level in the oil reservoir tank should be checked regularly.

**1.** Add oil to the oil reservoir tank if the fluid level in the tank is at the “add” mark. Remove cap from the oil reservoir tank and add Chevron Regal® R & O 32 oil to the “full” mark. Replace the cap and clean up any spilled oil.

**Important:** If the hose between the reservoir and injector is ever empty of oil, an air lock will form. After filling the reservoir tank, the line must be bled of air at the injector connection as follows:

- a. Remove the side panel and locate the oil injector.
- b. Loosen the bleeder screw until oil drips from the screw (or press bleeder button, if so equipped).
- c. Retighten bleeder screw (if required).
- d. Cycle the clamp valve a few times checking for oil and air leaks.
- e. Test the machine for full function before returning the machine to operation.

## Air Gauge Check and Recalibration

**1.** Inflate a standard 15" passenger car tire/wheel assembly to 32 PSI. Use a high quality stick-type pressure gauge to verify the pressure. Attach the tire changer's inflation hose to the valve stem and check the pressure reading on the air gauge. If it does not read 32 PSI, recalibrate the gauge.

**2.** Remove the screw-on lens. Loosen the 2 screws on the face of the gauge. Loosen them just enough so that the gauge face moves. Do not remove the screws.

**3.** Rotate the gauge face until the 32 PSI mark is aligned with the gauge needle. Tighten the 2 screws and replace the lens.

## Danger, Warning, Caution, and Instructional Decals

Always make the cleaning of these important decals a part of your regular maintenance routine. If they are damaged or illegible, replace them immediately. Your safety, and the safety of others is involved!

*Regal® is a trademark of Chevron Products Company*