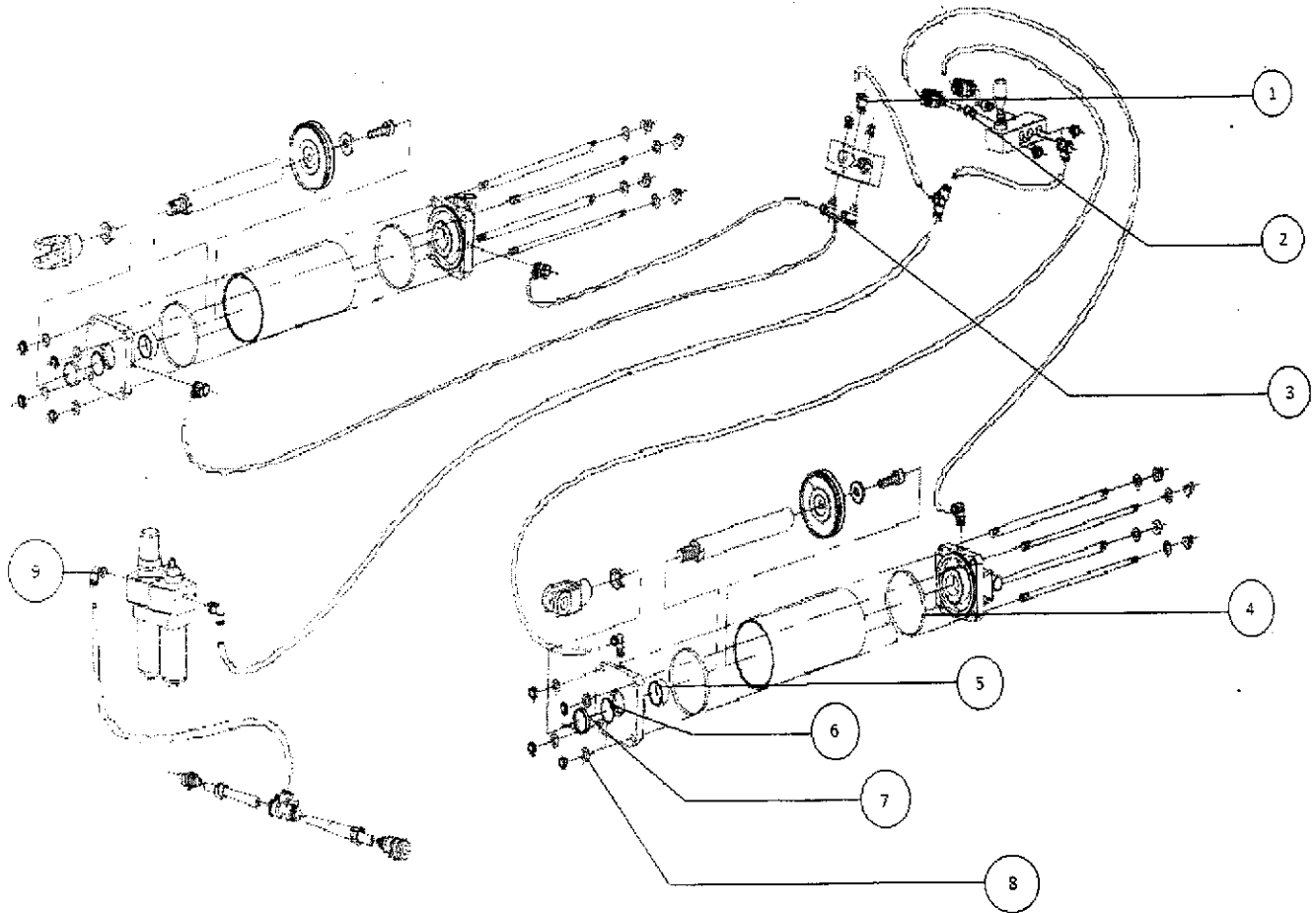


603-00825 Pneumatics Assembly

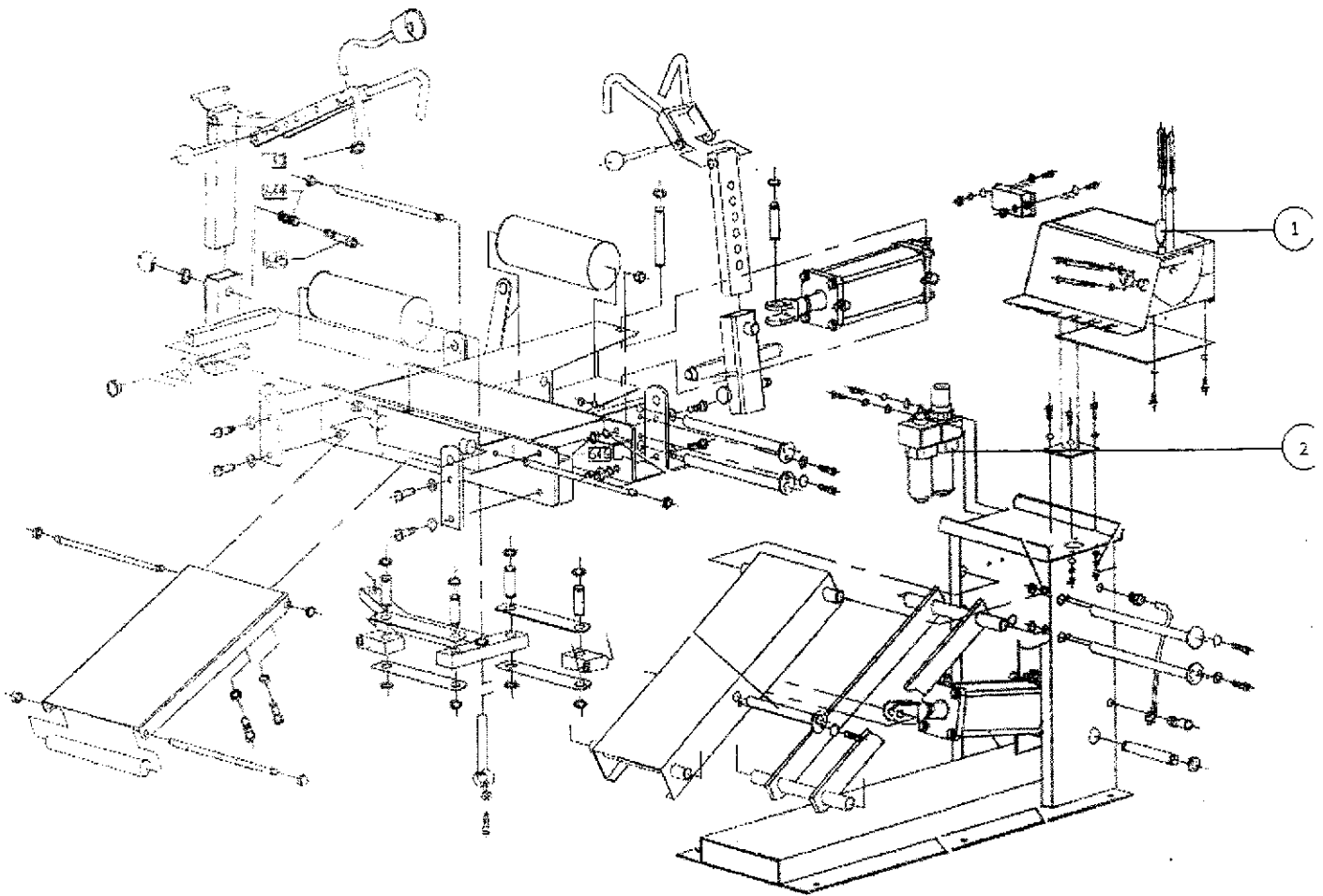


NO	CODE	DESCRIPTION	QUANTITY
1	603-82507	Middle Union	1
2	603-82509	Speed Adjusting Union	2
3	603-82508	Handle Valve	2
4	603-82510	Rubber O-Ring	1
5	603-82511	Oil-Free Piston	4
6	603-82503	O-Ring	2
7	603-82505	Dustproof Seal	2
8	603-82504	Washer	16
9	603-82506	Right Angle Connector	4

Maintenance

- Add the lubrication oil to the oil cup. Always ensure that the oil quantity in the cup is filled to 1/3-2/3 of the total volume. Adjust drip oil speed to allow one drop of oil for every 5 to 6 cycles.
- Clear away the dust and keep the work area clear of debris.
- Place lubricating oil to the piston rod and the various moving parts of the machine regularly. This will reduce friction, extending machine life.

603-00825 Main Assembly



NO	CODE	DESCRIPTION	QUANTITY
1	603-82501	Handle Valve	2
2	603-82502	Air Regulator	1