

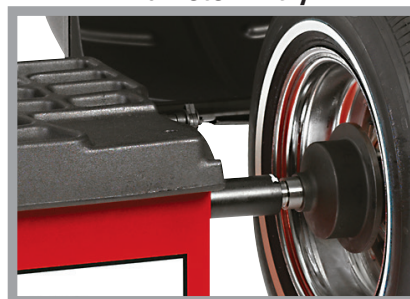


875 WHEEL BALANCER

Designed for low
volume balancing



Automatic Distance & Diameter Entry



Automatic measurement of two parameters with
manual control back-ups

Direct Tape-A-Weight® Placement



Audible beep guides you to perfect placement,
every time

Auto Start Hood



Balancing cycle begins when you lower the hood

875 WHEEL BALANCER

To learn more about the Coats 875 Wheel Balancer, or any of our other quality products, contact your authorized Coats distributor or call **1-855-876-3864** for the dealer nearest you.

COATS®

CONTACT US NOW

www.coatsgarage.com
or call 1-855-876-3864



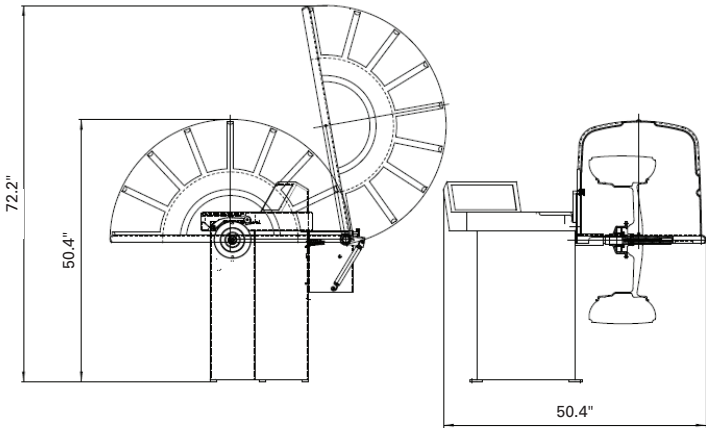
875 WHEEL BALANCER

DESIGNED FOR LOW VOLUME BALANCING

SPECIFICATIONS

Balancing Modes	10
Wheel Diameter Range	up to 30"
Wheel Width Range	2" - 20"
Maximum Tire Diameter	34" - 40"
Maximum Tire Weight	130 lbs.
Shaft Diameter	40 mm
Resolution (Round Off Mode)	0.01 oz.
Footprint	50"w x 49"d x 72"h
Ship Weight	213 lbs.
Interface	LED
Automatic Data Entry	Yes
Electrical Requirements	110v, 1ph
Warranty	1 Year Parts, 2 Year Motor & Process Board, 6 Months Labor
Part Number	85008875

EQUIPMENT FOOTPRINT



ACCESSORIES

* Included With Purchase

Part Number	Description
*8112098	Small A Cone
*8112099	Medium B Cone
*8112100	Large C Cone
*8112101	Light Truck Back Cone - D Cone
*8113175	Premium Wheel Weight Hammer
*8112107	Spring
*8309011	Calipers
*8112103	Hub Nut
*8112106	Small Pressure Drum w/ Ring
8112421	Short Cone
85609499	Set of (8) Collets - Range 2.04" - 5.30"
85607503	Premium Quick Nut

RECOMMENDED OPTIONAL ACCESSORIES



Slide Nut Kit
(PN 85009998)



In-Between Cone Set
(PN 8113795)



Lt. Truck Cone Kit
(PN 8113277C)

COATS®