

COATS®

Models 775A/775B 875A/875B/875B Export Wheel Balancers



Models 775A & 875A Shown

Parts Identification

READ these instructions before placing unit in service. KEEP these and other materials delivered with the unit in a binder near the machine for ease of reference by supervisors and operators.

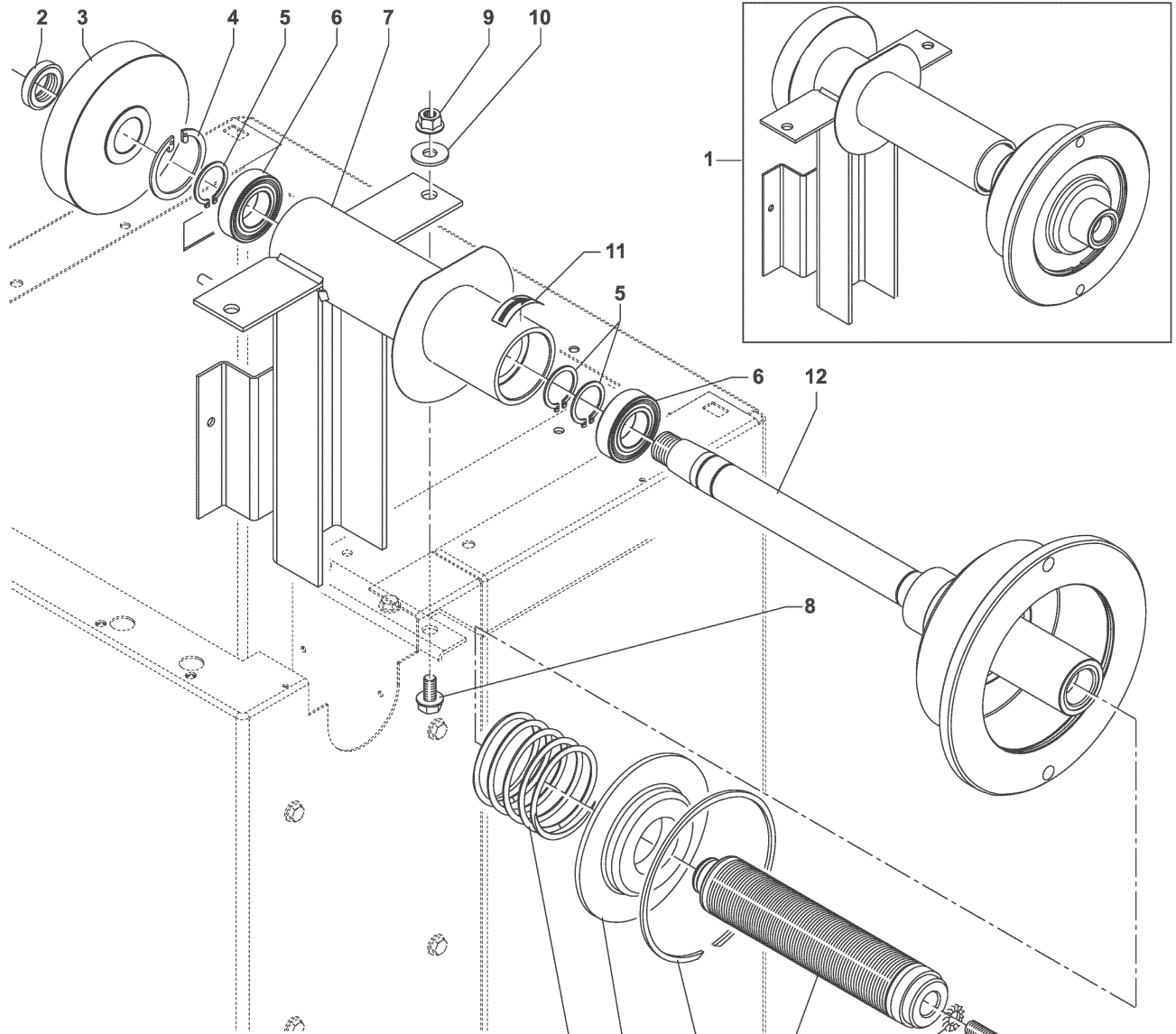
Parts Identification

The following pages include parts breakdowns with exploded view illustrations to help with ordering replacement or spare kits. Assemblies are noted where it is recommended that individual parts not be ordered separately. Note that the parts view illustrations are for multiple models and not all parts shown are on all models. Every effort is made to supply accurate exploded views, however, due to interim changes in manufacturing operations, some units may not be exactly as illustrated.

Table of Contents

<i>Assembly View</i>	<i>Model 775A</i>	<i>Model 775B</i>	<i>Model 875A</i>	<i>Model 875B</i>	<i>Model 875B Export</i>	<i>Page</i>
Shaft Assembly (875B)				X		3
Shaft Assembly (775A/875A)	X		X			4
Motor & Piezo Assemblies (775A/875A)	X		X			5
Motor & Piezo Assemblies (875B)				X		6
Shaft, Motor & Piezo Assemblies (775B/875B/875B Export)		X		X	X	7
Chassis & Touch Panel Assemblies (775A)	X					8
Chassis & Touch Panel Assemblies (775B)		X				9
Chassis & Touch Panel Assemblies (875A)			X			10
Chassis & Touch Panel Assemblies (875B/875B Export)				X	X	11
Power Panel Assembly (775A)	X					12
Power Panel Assembly (875A)			X			12
Power Panel Assembly (775B/875B/875B Export)		X		X	X	13
Distance Gauge Assembly (775A)	X					14
Distance Gauge Assembly (775B)		X				15
Distance Gauge Assembly (875A/875B/875B Export)			X	X	X	16 - 17
Wheel Guard Assembly (875A/875B)			X	X		18
Wheel Guard Assembly (875B Export)					X	19
Harnesses	X	X	X	X	X	19

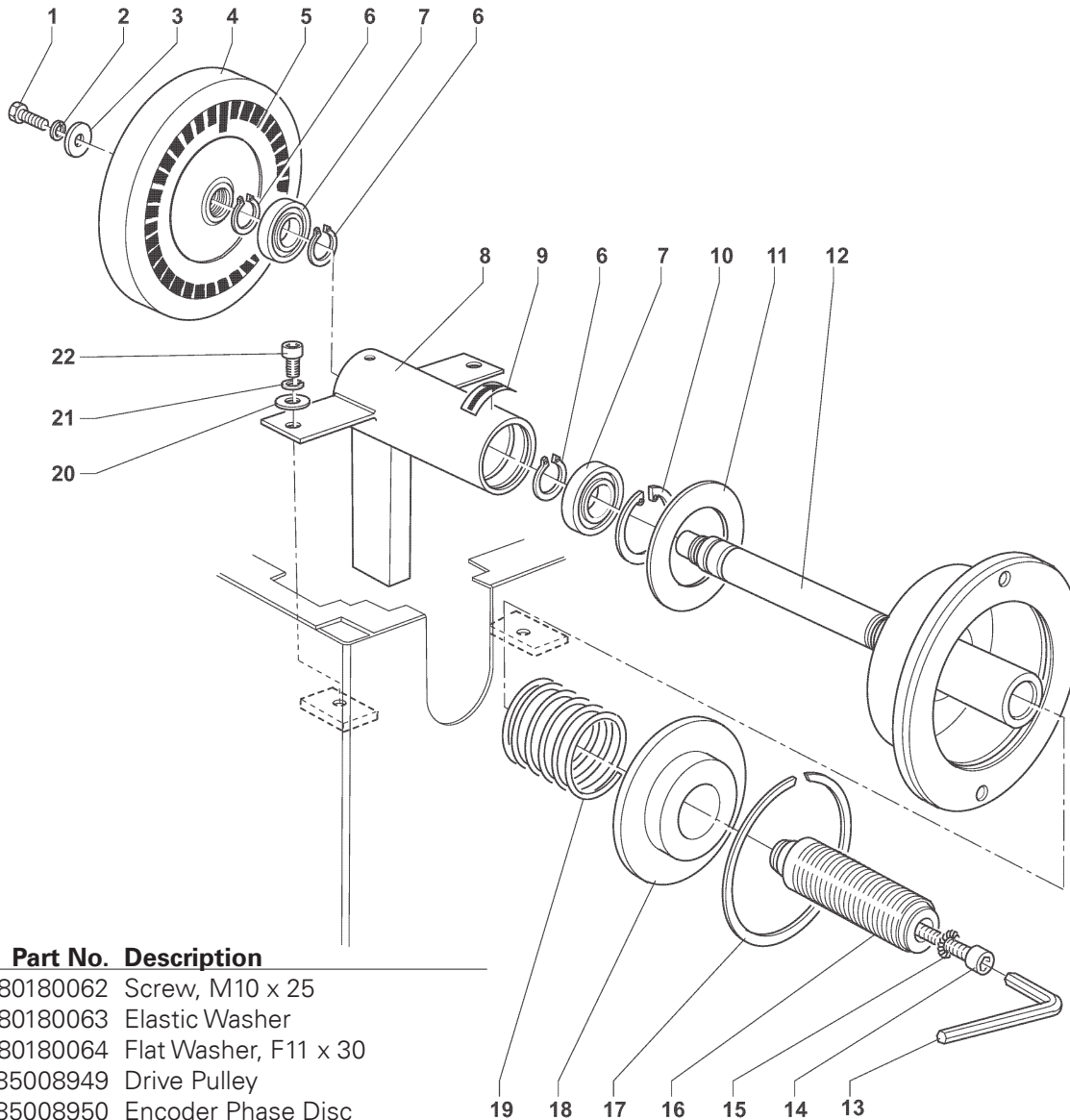
Shaft Assembly (875B)



Item No	Part No.	Description
1	846FM83650	Complete Shaft
2	8323333020	Self-Locking Ring Nut
3	842FM76683	Driven Pulley
4	85009091	Seeger Ring
5	8344200118	Seeger Ring
6	85008914	Bearing
7	NA	Leaf Spring Set
8	NA	Screw - M8 X 16
9	NA	Exagonal Nut - M8
10	NA	Flat Washer - M8
11	8110241	Weight Position Decal
12	NA	Shaft Ø 40
13	80180070	Screw, M10 x 160
14	80180071	Knurled Washer, F10.5
15	85009009	40mm Shaft
16	NA	Seeger Ring
17	85008951	Spring Cover
18	85008915	Spring

NA **Not Available**
NS **Non-stocking**
***** **Not Shown**

Shaft Assembly (775A/875A)

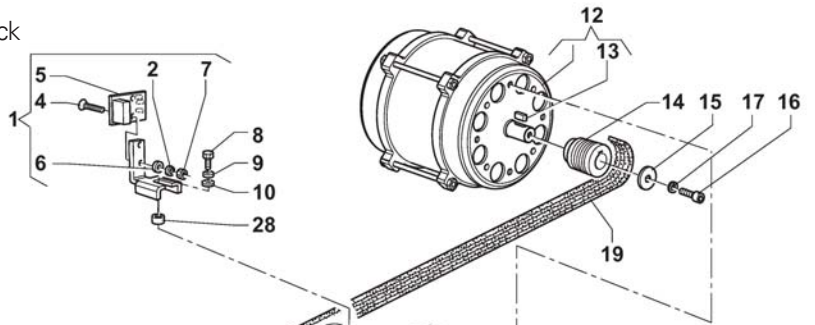


Item No	Part No.	Description
1	80180062	Screw, M10 x 25
2	80180063	Elastic Washer
3	80180064	Flat Washer, F11 x 30
4	85008949	Drive Pulley
5	85008950	Encoder Phase Disc
6	85009090	Seeger Ring, 25E
7	85008914	Bearing
8	85008976	Leaf Spring Set
9	8110241	Weight Position Decal
10	85009091	Seeger Ring, 47I
11	N/A	
12	N/A	
13	N/A	Allen Wrench, 8mm
14	80180070	Screw, M10 x 160
15	80180071	Knurled Washer, F10.5
16	85009009	40mm Shaft
17	8344200118	Seeger Ring, SB118
18	85008951	Spring Cover
19	85008915	Spring
20	N/A	Flat Washer, F9 x 17
21	N/A	Elastic Washer, 8.4
22	N/A	Screw, TCEI M8 x 16

NA **Not Available**
NS **Non-stocking**
 * **Not Shown**

Motor & Piezo Assemblies (775A/875A)

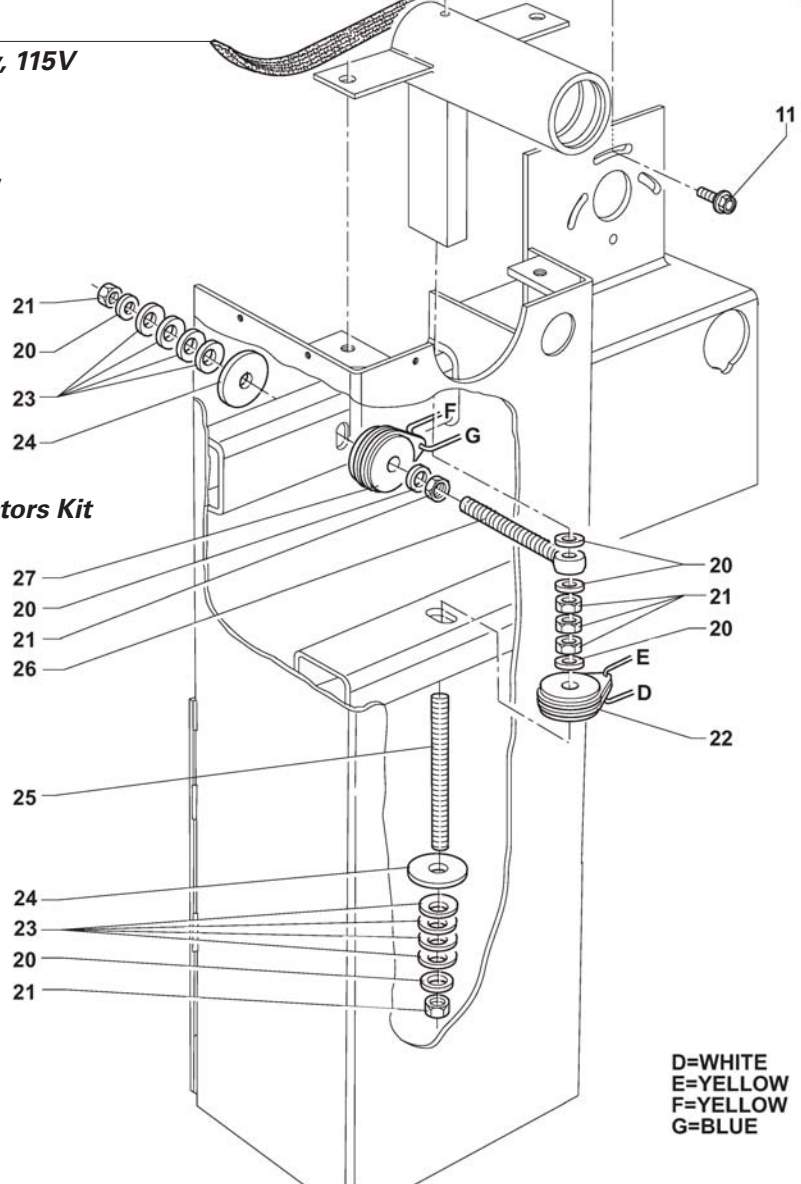
Item No	Part No.	Description
1	85008953	Compl. Position Pick Up
2	N/A	Elastic Washer, 3
4	N/A	Screw, Tps M3 X 10
5	85008910	Position Pick Up Board
6	80180021	Flat Washer, F3.2
7	N/A	Nut, M3
8	N/A	Screw, M6 X 18
9	80180036	Elastic Washer, 6.4
10	80180049	Flat Washer, F6.4
11	N/A	Screw Te M5 X 12 Tensilock
12	85008913	115V Motor
15	N/A	Washer, 4.3 X 16 1.5
16	N/A	Screw, TCEI M4 X 12
17	N/A	Spring Washer, 4.3
19	85008905	Drive Belt
20	80180055	Flat Washer
21	80180054	Nut, M10
28	85008979	Spacer No Bp



Item No	Part No.	Description
P/N	85008954	Motor Assembly, 115V
11		Screw
12		115V Motor
13		Motor Key
14		Drive Pulley, 115V
15		Flat Washer
16		Screw
17		Spring Washer
19		Drive Belt

P/N	85008983	PiezoKit
22		Piezo Assembly
27		Piezo Assembly

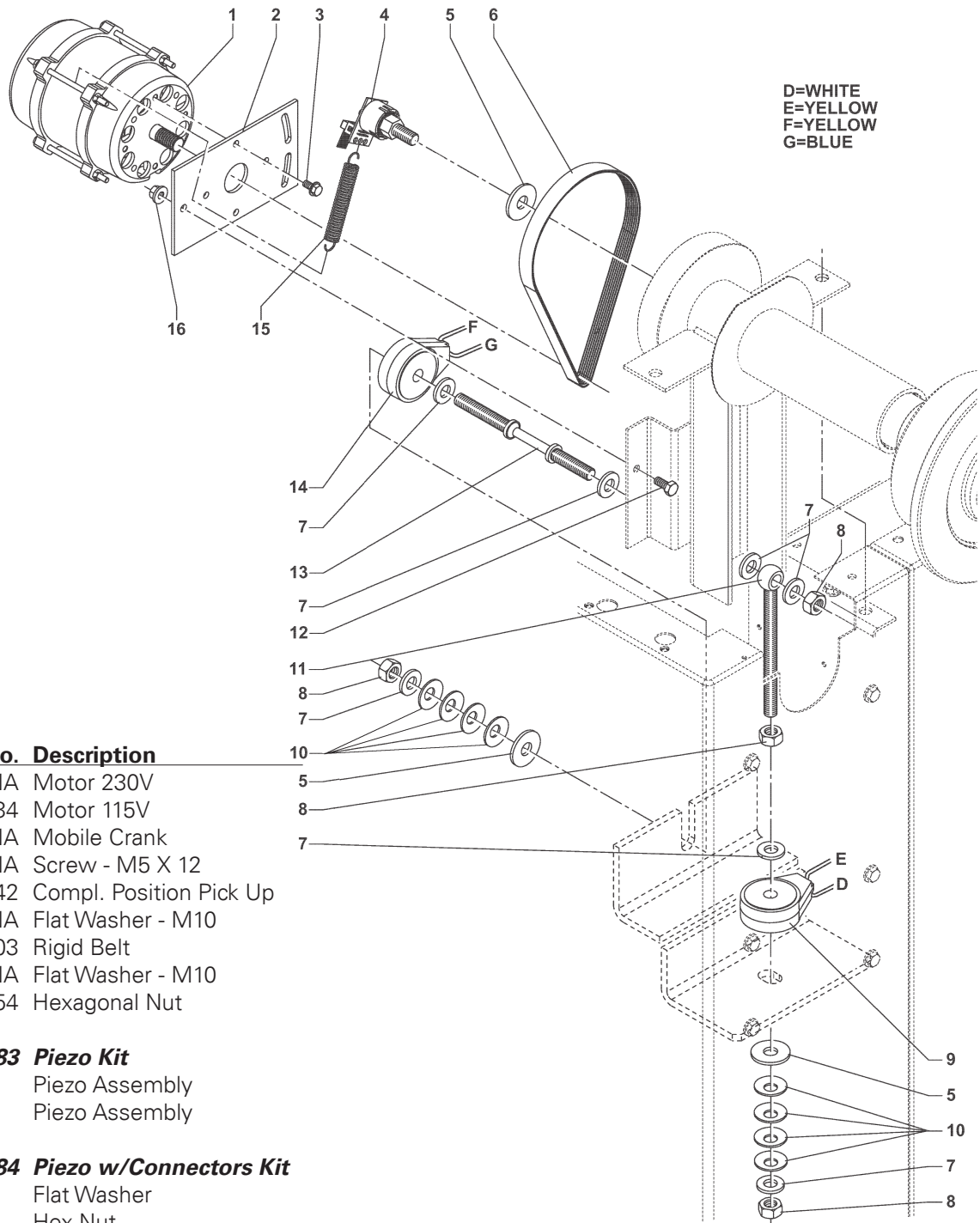
P/N	85008984	Piezo w/Connectors Kit
20		Flat Washer
21		Hex Nut
22		Piezo Assembly
23		Cup Spring
24		Flat Washer
25		Threaded Bar
26		Eye Rod
27		Piezo Assembly



NA **Not Available**
NS **Non-stocking**
***** **Not Shown**

D=WHITE
E=YELLOW
F=YELLOW
G=BLUE

Motor & Piezo Assemblies (875B)



Item No	Part No.	Description
1	NA	Motor 230V
	85607234	Motor 115V
2	NA	Mobile Crank
3	NA	Screw - M5 X 12
4	886SD76742	Compl. Position Pick Up
5	NA	Flat Washer - M10
6	85606703	Rigid Belt
7	NA	Flat Washer - M10
8	80180054	Hexagonal Nut

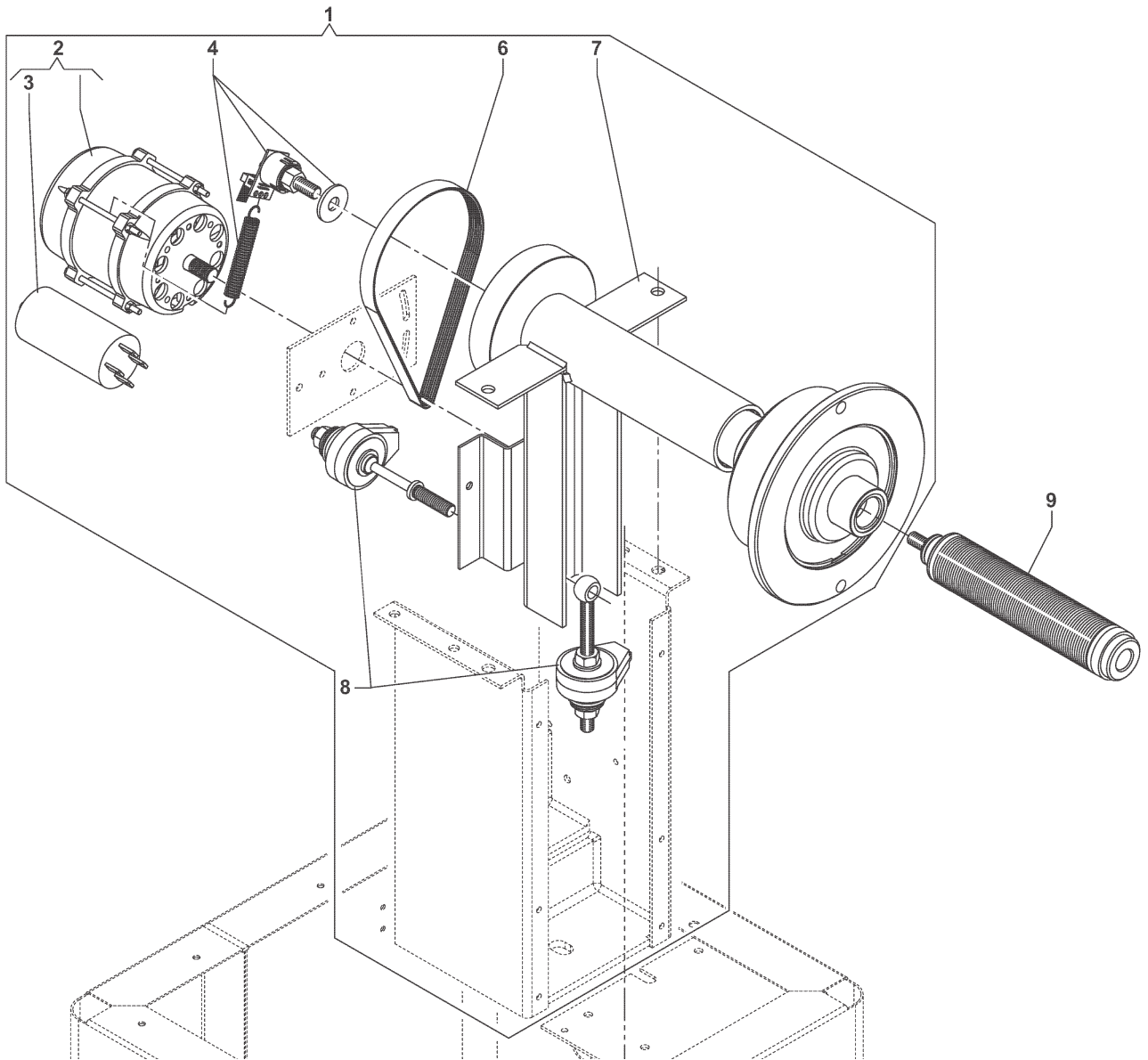
P/N	85008983	Piezo Kit
9		Piezo Assembly
14		Piezo Assembly

P/N	85008984	Piezo w/Connectors Kit
7		Flat Washer
8		Hex Nut
9		Piezo Assembly
10		Cup Spring
5		Flat Washer
13		Threaded Bar
11		Eye Rod
12		Screw
14		Piezo Assembly

15	818FB76761	Spring
16	NA	M10 Nut

NA Not Available
NS Non-stocking
***** Not Shown

Shaft, Motor & Piezo Assemblies (775B, 875B Export)



Item No Part No. Description

1	84RFM87164	VDD Complete 115V (775B)
	84RFM87163	WDD Complete 230V (875B Export)
2	85607469	Motor + Capacitor 115V (775B)
	85606708	Motor + Capacitor 230V (875B Export)
3	85607255	Capacitor 115V (775B)
	85606713	Capacitor 230V (875B Export)
4	85606706	Compl. Position Pick Up
6	85606703	Rigid Belt
7	84RFM83650	Complete Shaft
8	84RFM86798	Piezo Assembly
9	85009009	40mm Shaft

NA Not Available
NS Non-stocking
***** Not Shown

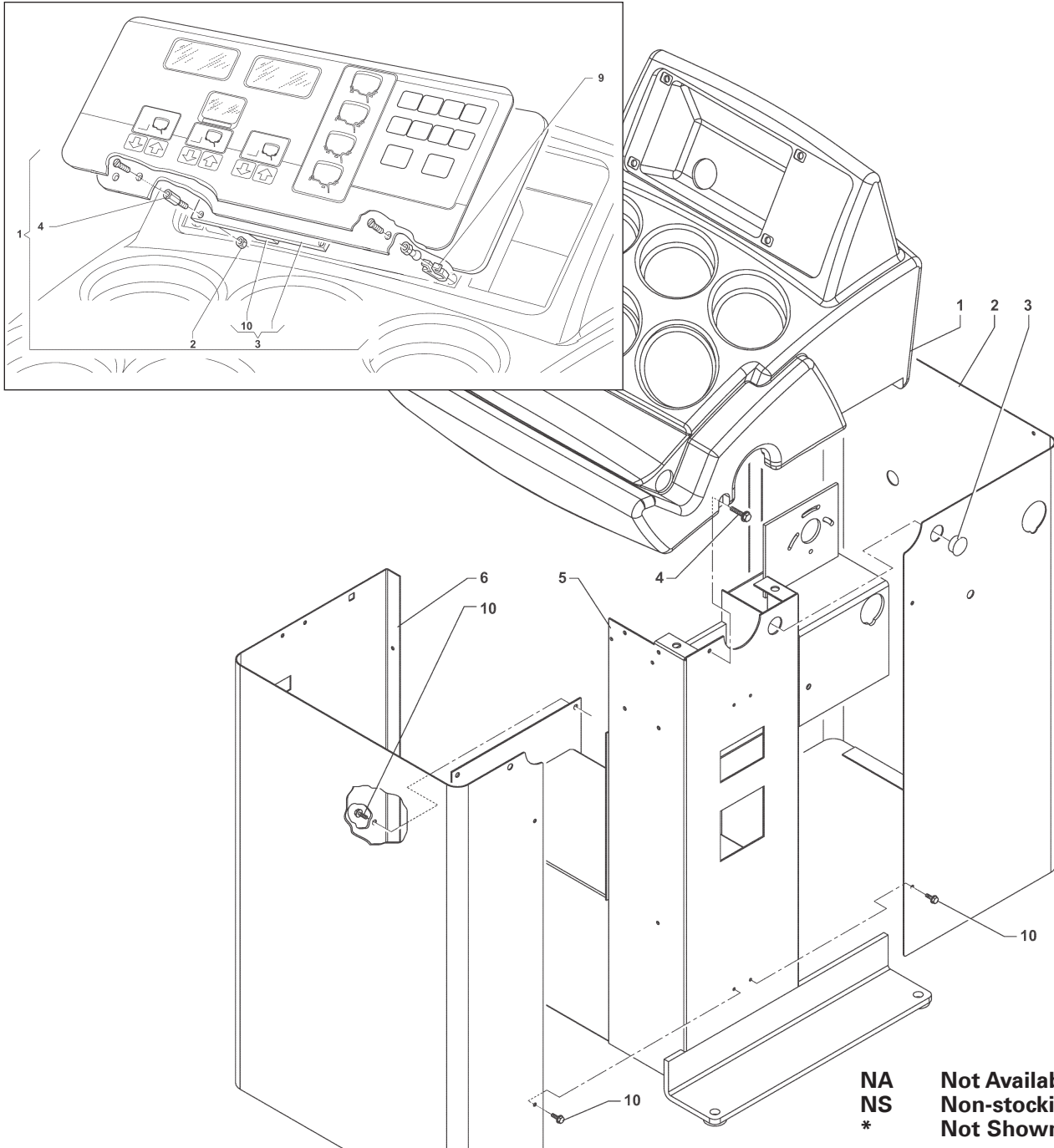
Chassis & Touch Panel Assemblies (775A)

Touch Panel

Item No	Part No.	Description
1	85008948	Touch Panel Assembly
2	NA	Nut, M3
3	85008909	Computer Board
4	NA	Spacer, M3 7Mm
9	85009108	Rapid Connection, C4434-10
10	85008912	Fuse

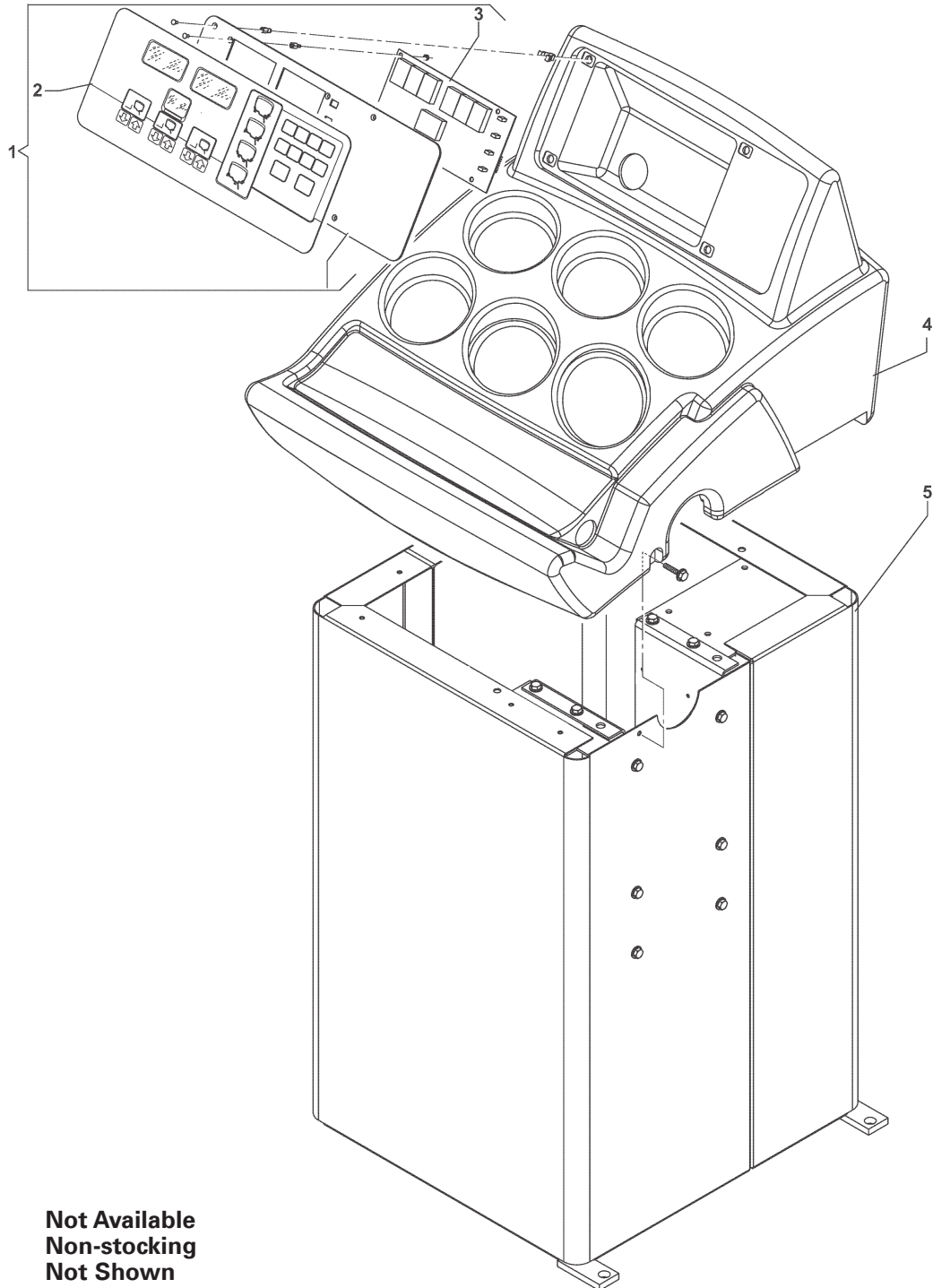
Chassis Assembly

Item No	Part No.	Description
1	85008955	Cover With Weight Tray
2	85008956	Rear Casing
3	85009957	Plug
4	NA	Self-Threading Screw, 6.3 X 25
5	85008958	Casing
6	85008959	Front Casing
10	NA	Self-Threading Screw, 4.8 X 13



Chassis & Touch Panel Assemblies (775B)

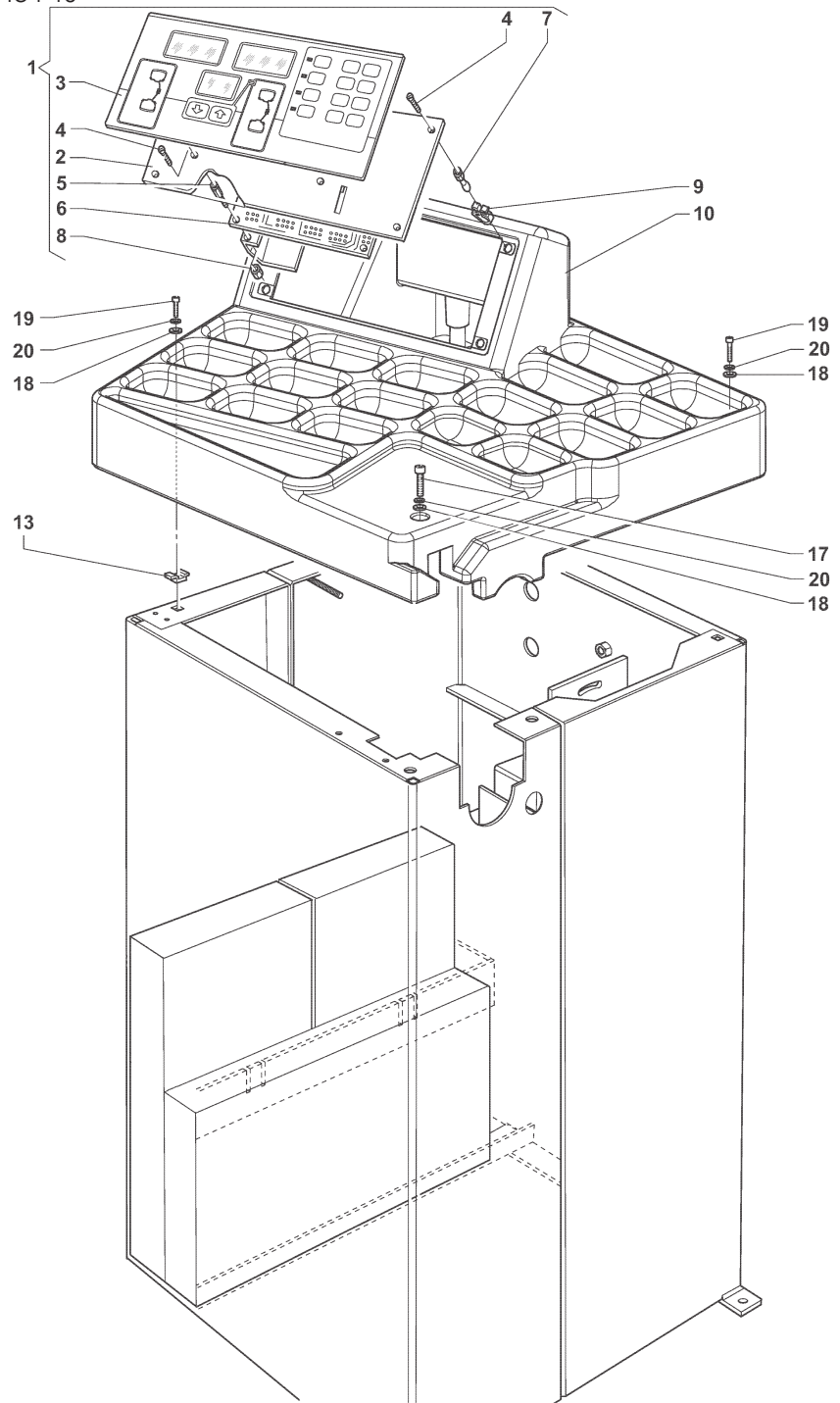
Item No	Part No.	Description
1	NA	Complete Panel
2	805PR77895	Lexan Panel
3	886SC82916	Computer Board
4	814FB78718	Cover With Weight Tray
5	NA	Base Plate



NA Not Available
NS Non-stocking
* Not Shown

Chassis & Touch Panel Assemblies (875A)

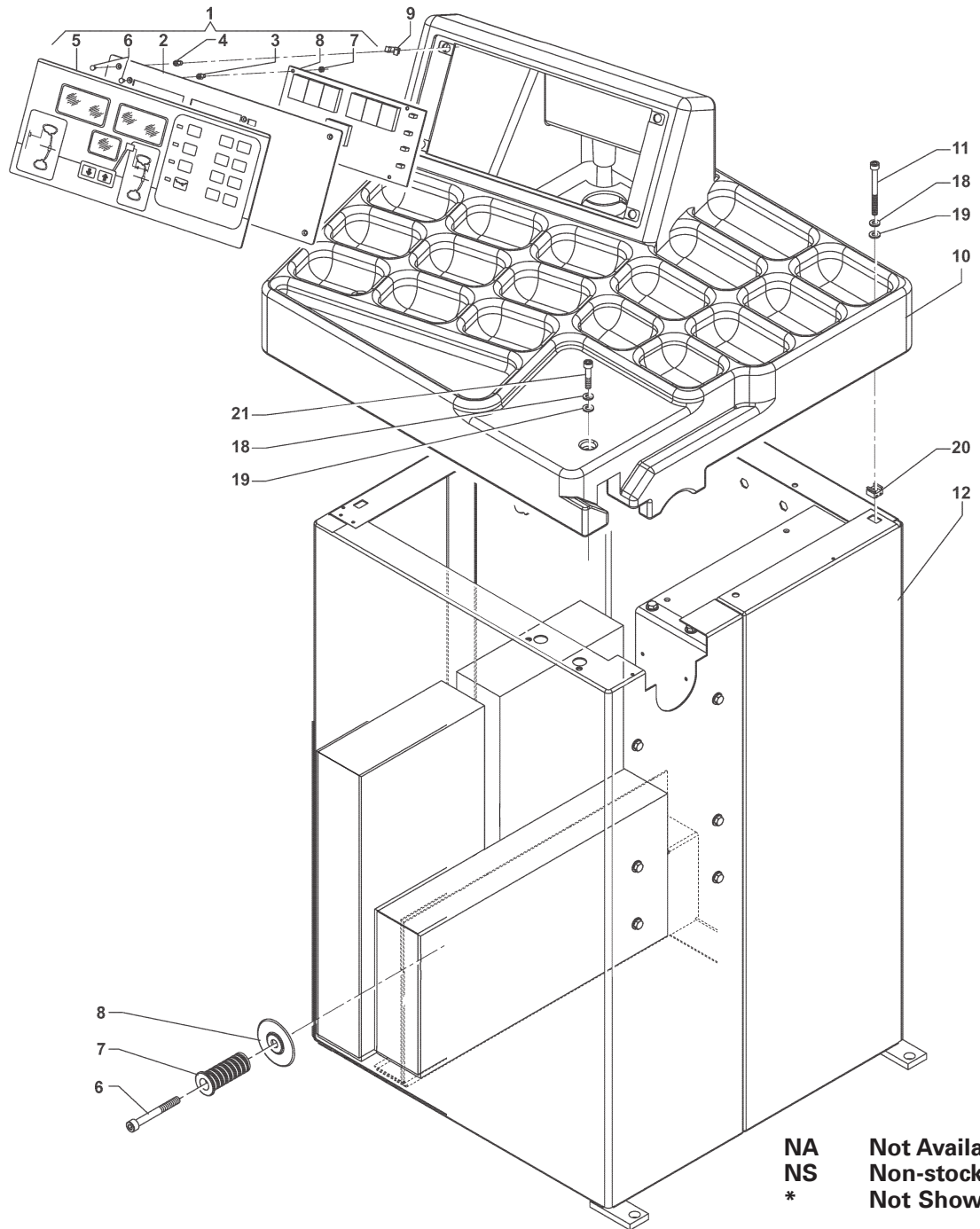
Item No	Part No.	Description
P/N 1	85008964	Touch Panel Assembly (875A)
2		Panel Support
3		Control Panel (875A)
4		Screw
5		Spacer
7		Rapid Pin
8		Nut
6	85008920	Computer Board
9	85009108	Rapid Connection, C4434-10
10	85008965	Cover W/Weight Tray
12	85008966	Base Plate
13	85009112	Square Nut M6
17	NA	Screw TCEI M6 X 30
18	80180049	Flat Washer, F6.4
19	NA	Screw TCEI M6 X 65
20	80180036	Elastic Washer 6.4



NA **Not Available**
NS **Non-stocking**
***** **Not Shown**

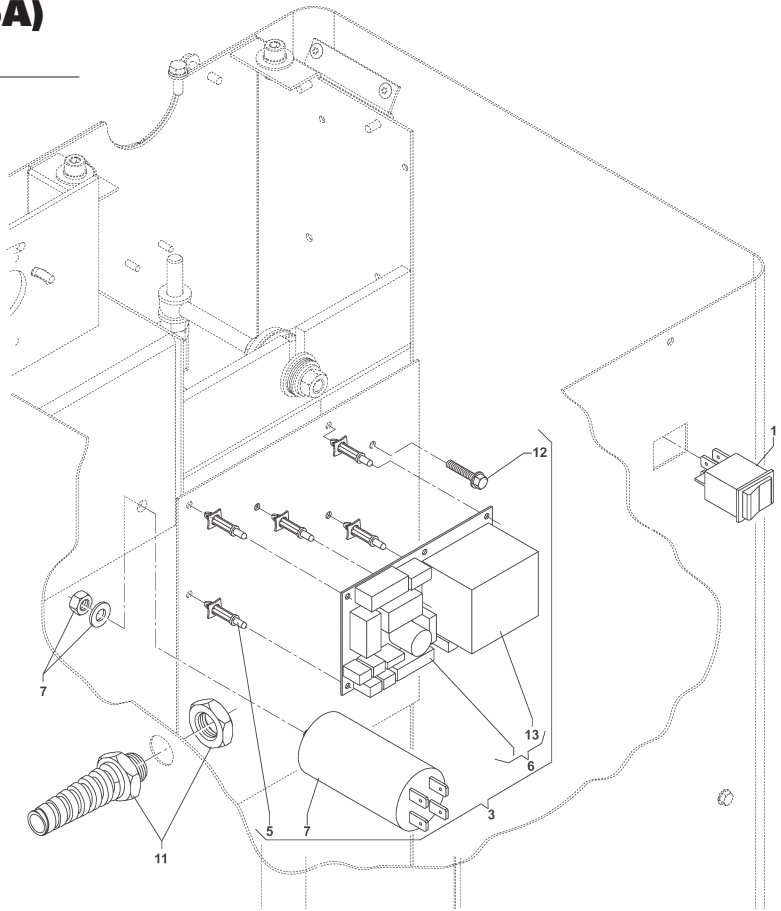
Chassis & Touch Panel Assemblies (875B, 875B Export)

Item No	Part No.	Description	Item No	Part No.	Description
1	886PR84984	Touch Panel Kit (875B English)	9	85009108	Rapid Connection (875B)
	886PR8808	Touch Panel Kit (875B Chinese)	10	85008965	Cover With Weight Tray
2	NA	Panel Support (875B)	11	85009114	Screw (875B)
5	85606704	Control Panel (875B English)	12	NA	Chassis
	805PR88474	Control Panel (875B Chinese)	18	80180036	Spring Washer (875B)
6	8315231015	Screw (875B)	19	8325035006	Flat Washer (875B)
3	8527034980	Spacer (875B)	20	85009112	Square Nut (875B)
4	8329007663	Rapid Pin (875B)	21	85009113	Screw (875B)
7	8321232003	Nut (875B)	22	8312120103	Screw
8	85606705	Computer Board	23	814FB81408	Pin
			24	814FB82873	Plate



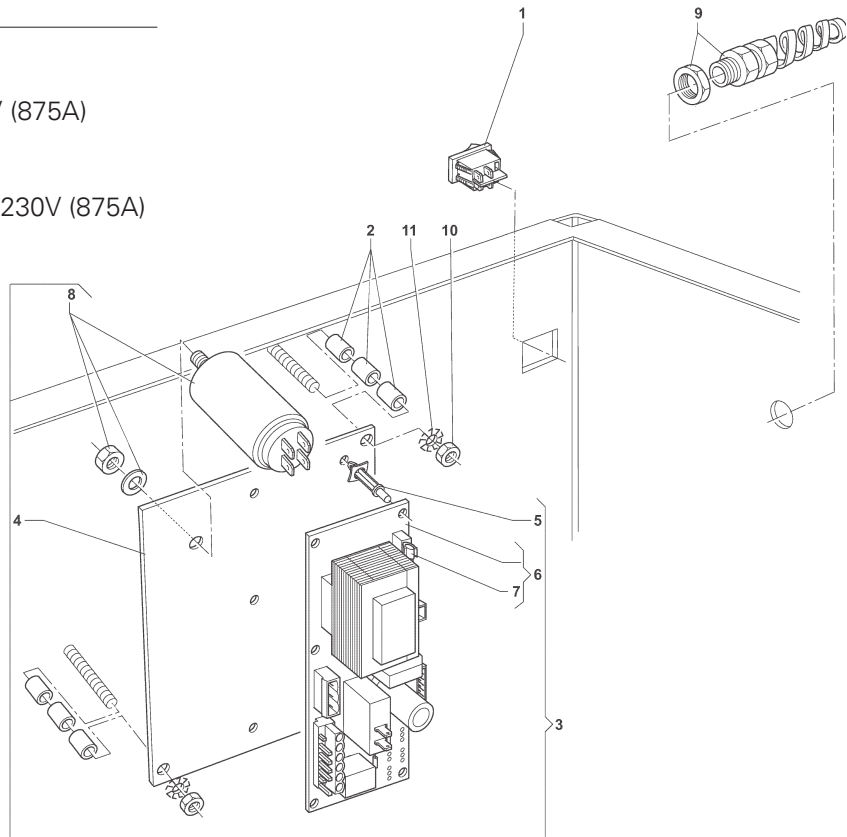
Power Panel Assembly (775A)

Item No	Part No.	Description
1	85008907	Platform Switch
3	85008916	Power Plate Kit, 115V
5	NA	Spacer, 21mm
6	85008917	Power Supply Board, 115V
7	85008918	Capacitor, 115V
11	85009001	Cable Circlip
12	NA	Screw, Self-Thread 5.5 X 25
*	85008947	RC Filter/Snubber



Power Panel Assembly (875A)

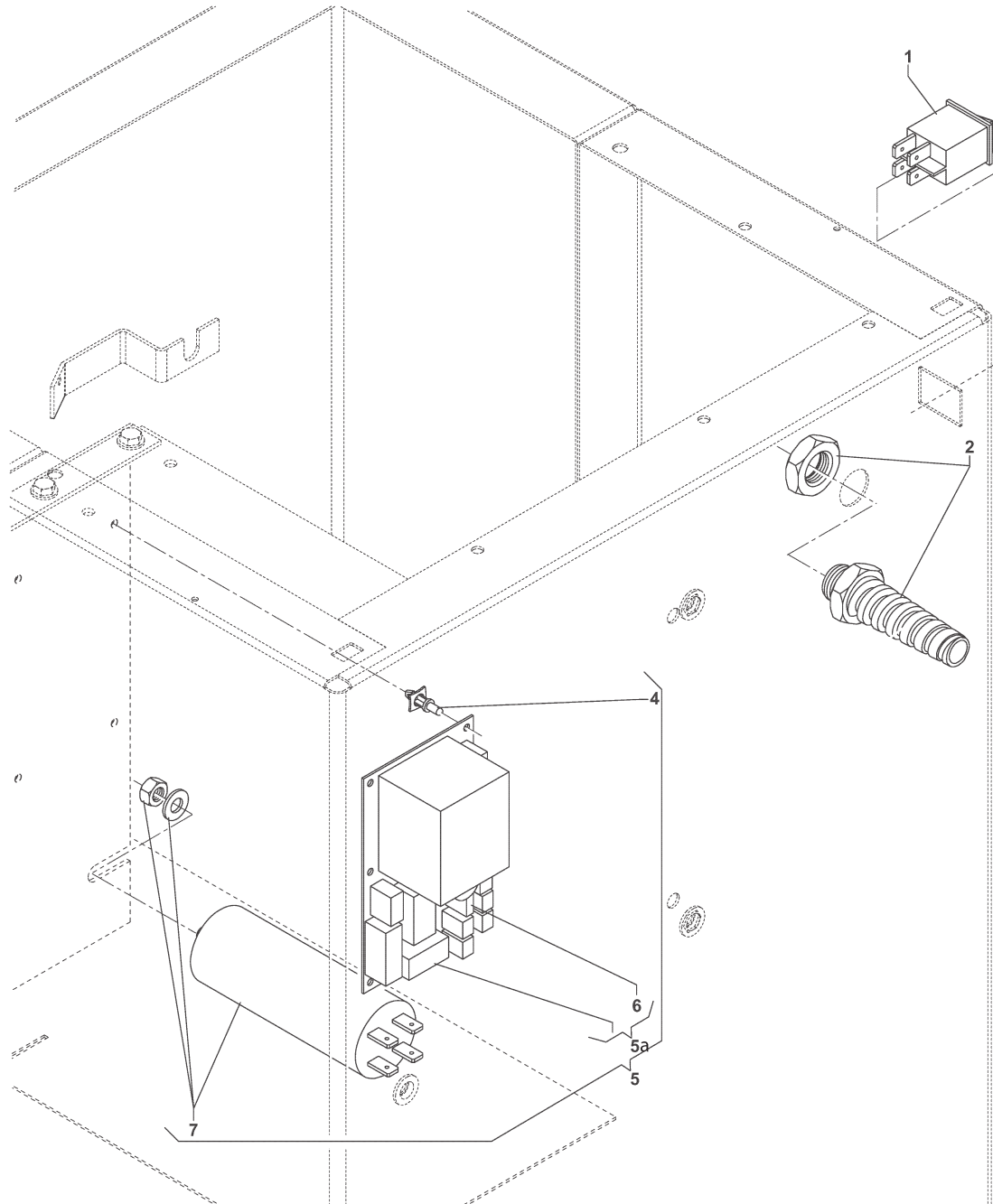
Item No	Part No.	Description
1	85008907	Platform Switch
2	85008998	Spacer
3	85008999	Power Plate Kit, 230V (875A)
4	85009000	Electric Plate
5	NA	Spacer, 21mm
6	85008917	Power Supply Board, 230V (875A)
8	85008918	Capacitor 230V
9	85009001	Cable Circlip
10	80180037	Nut M6
11	NA	Knurled Washer, F.6
*	85008947	RC Filter/Snubber



NA Not Available
NS Non-stocking
***** Not Shown

Power Panel Assembly (775B, 875B, 875B Export)

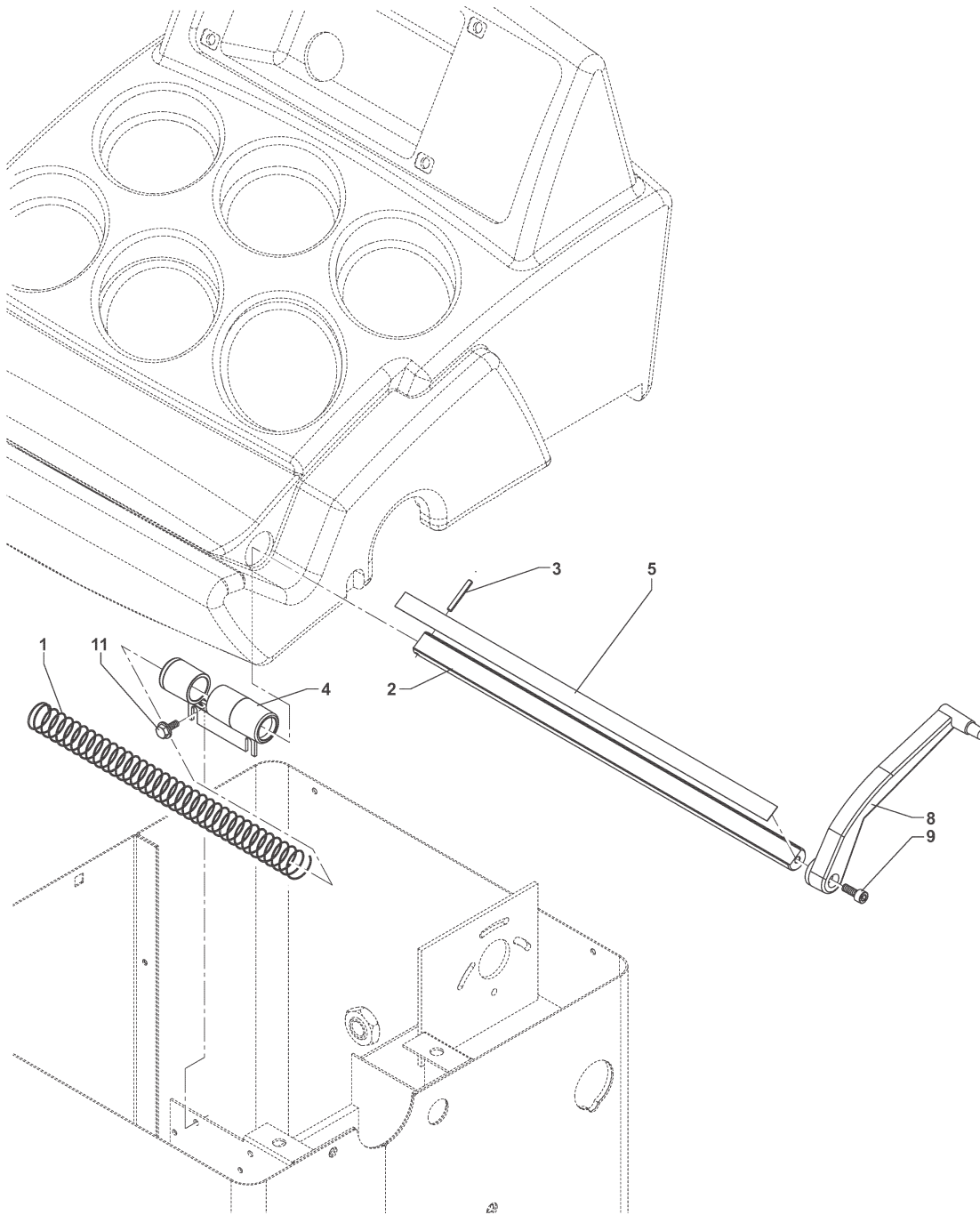
Item No	Part No.	Description
1	85008907	Platform Switch
2	85009001	Cable Circlip
4	85607244	Spacer (875B)
	85606714	Fuse (875B, 875B Export)
5	85008917	Power Supply Board 115V (775B, 875B)
5a	886SZ81454	Compl. Power Plate 115V (875B)
	85606712	Compl. Power Plate 230V (875B Export)
6	8681003150	Fuse (775B)
7	85607255	Capacitor 115V (775B, 875B)
	85606713	Capacitor 230V (875B Export)



NA **Not Available**
NS **Non-stocking**
***** **Not Shown**

Distance Gauge Assembly (775A)

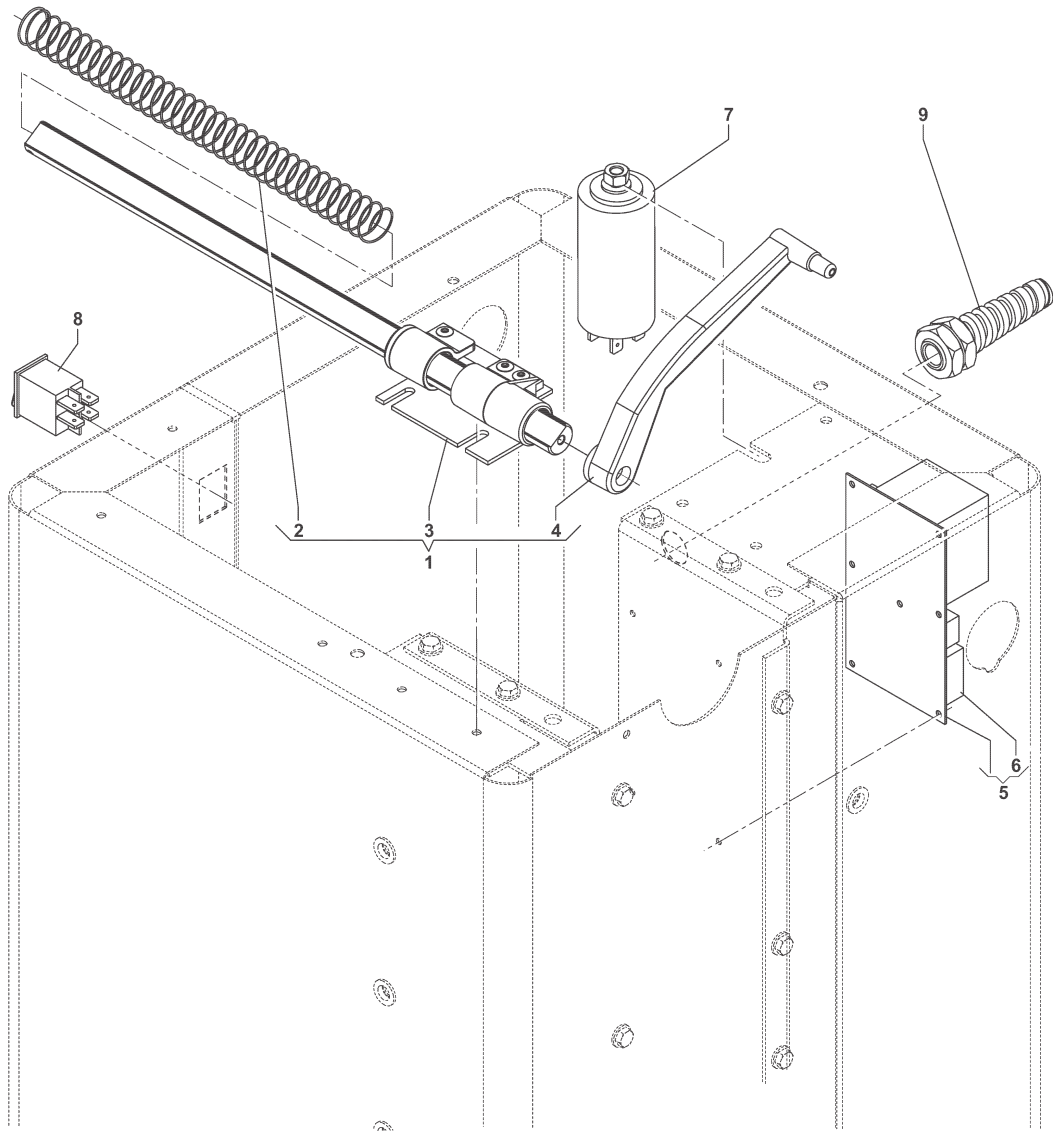
Item No	Part No.	Description
1	85008906	Distance Gauge Spring
2	85008952	Distance Gauge Rod
3	85008960	Elastic Dowel
4	85008961	Gauge Bracket
5	85008962	Graduated Band
8	85008963	Index For Distance Gauge
9	80180100	Screw, Tcei M6 X 16
11	NA	Screw, Self-Thread 6.3 X 13



NA **Not Available**
NS **Non-stocking**
***** **Not Shown**

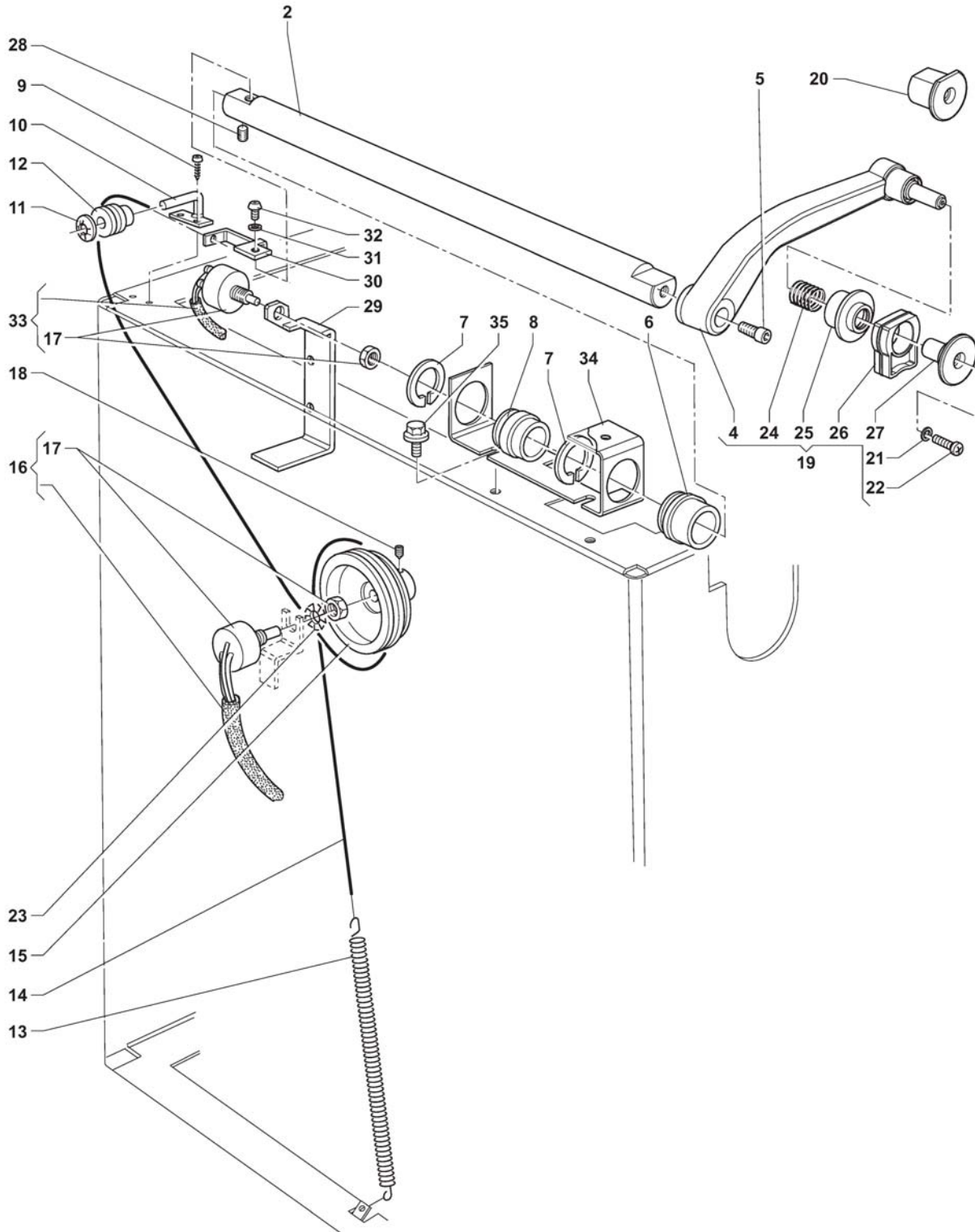
Distance Gauge Assembly (775B)

Item No	Part No.	Description
1	846FC82160	Compl. Distance Gauge
2	85008906	Distance Gauge Spring
3	846FC84169	Bracket
4	85008963	Compl. Index For Dist. Gauge



NA Not Available
NS Non-stocking
* Not Shown

Distance Gauge Assembly (875A, 875B, 875B Export)



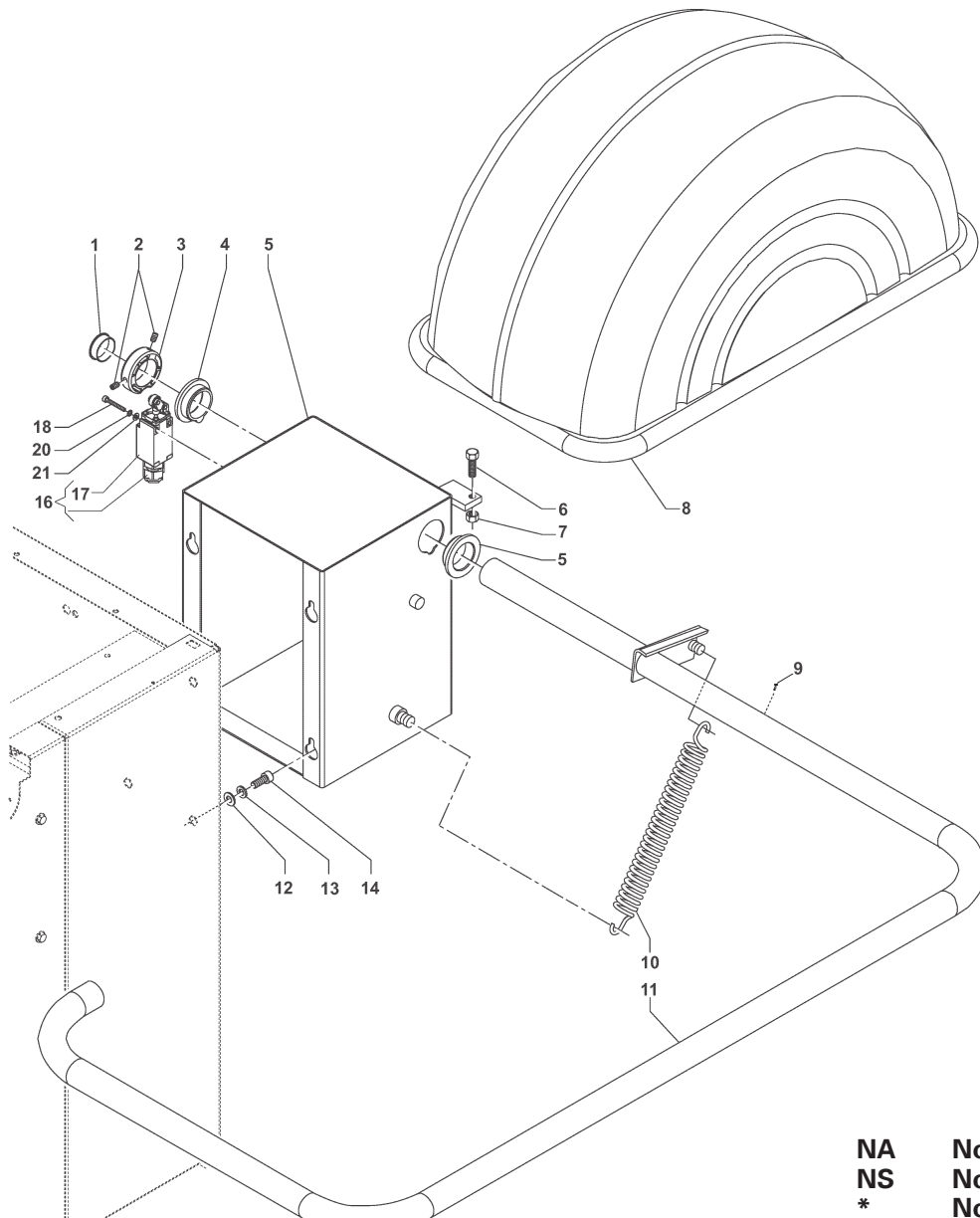
NA Not Available
NS Non-stocking
***** Not Shown

Item No	Part No.	Description
1	846FC88361	Complete Bracket (875B Export)
2	85008986	Distance Gauge Rod
4	85008987	Index For Dist. Gauge
5	NA	M6 X 16 Screw
6	85008988	Bushing
7	85009115	Seeger Ring, WA-H 30
8	85008989	Bushing
9	8314931069	Self-Threading Screw, 4.2
10	85008990	Bracket
11	85009117	Self-Locking Seeger Ring
12	8114365	Small Return Pulley
13	85008922	Distance Gauge Spring
14	8114363	Plait
15	8114327	Pulley
16	85008925	Dist. Gauge & Potentiometer (875A)
	85606709	Distance Gauge+Potent. (875B)
	886SB67291	Distance Gauge+Potent. (875B Export)
17	NA	Potentiometer
18	NA	M4 X 10 Screw
19	85008991	Compl. Index For Dist. Gauge
20	85009162	Revolving Unit
21	80180005	Flat Washer, F4.3
22	NA	Self-Threading Screw, TC 3.9 X 9.5
23	NA	Knurled Washer, F10
24	85008992	Spring
25	85008993	Pincher
26	85008994	Weight Pusher
27	85008995	Revolving Unit
28	NA	Screw, M6 X 6 Flat End (875A)
29	8114371	Saddle
30	8114370	Bracket
31	80180021	Screw, M6 X 6 Flat End
32	80180020	Screw, TC M3 X 10
33	85008926	Dia. Gauge & Potentiometer (875A)
	85606710	Diameter. Gauge + Potent (875B)
	886SB67291	Diam. Gauge+Potent. (875B Export)
34	85008997	Gauge Bracket (875A)
	842FB81513	Bracket (875B)
35	NA	Screw, TE M6 X 6 Tensilock (875A, 875B)

NA **Not Available**
NS **Non-stocking**
***** **Not Shown**

Wheel Guard Assembly (875A, 875B)

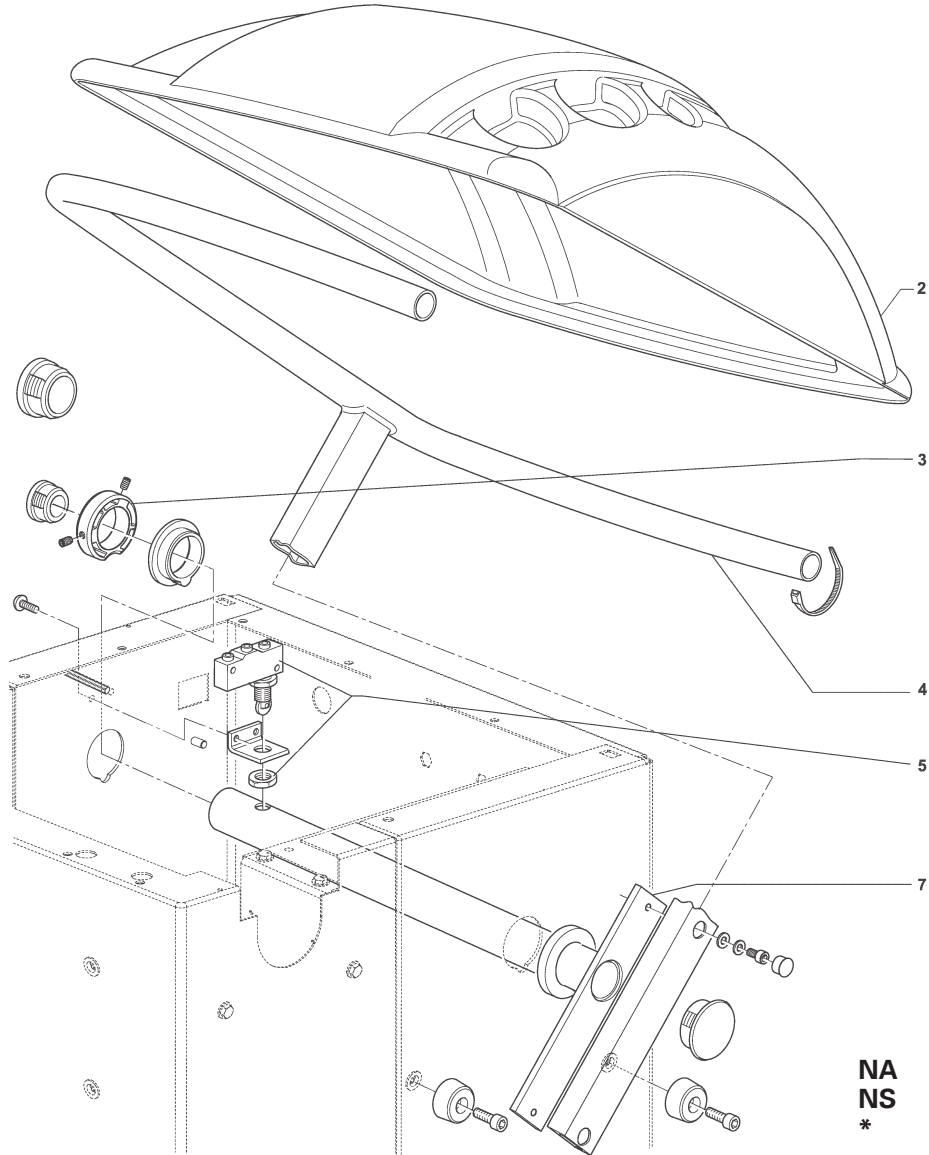
Item No	Part No.	Description	Item No	Part No.	Description
1	85008968	Plug	13	NA	Elastic Washer, 8.4
2	NA	Screw, M6 X 10	14	NA	Screw, TC M8 X 20
3	85008967	Stop Ring	15	NA	* Square Nut M8 (875A)
4	85009024	Bushing	16	886SB80083	Cable With Microswitch
5	85008969	Support (875A)	17	85607248	Microswitch
	842FW82788	Support (875B)	18	8312120040	Screw, M6 X 10 (875A)
6	NA	Screw, Te M8 X 30	20	8325047004	Knurled Washer (875B)
7	NA	Nut, M8	21	8325035004	Flat Washer (875B)
8	85008970	Wheel Guard			
9	8314931069	Self-Threading Screw (875A)			
10	85008971	Spring			
11		Tube Chassis			
12	80180008	Flat Washer, F8.4			



NA Not Available
NS Non-stocking
***** Not Shown

Wheel Guard Assembly (875B Export)

Item No	Part No.	Description
2	814FW54110	Wheel Guard
3	85008967	Stop Ring
4	842XX71013	Tube Chassis
5	85606707	Cable With Microswitch
7	842XX71076	Tube Guard



NA Not Available
NS Non-stocking
***** Not Shown

Harnesses

Item No	Part No.	Description
*	85008908	Hood Switch Harness
*	85008919	Encoder Cable
*	85008923	Display Power Ribbon
*	NA	Ground Cable For Display
*	85009006	Power Cord, 115 V
*	85009007	Power Cord, 230 V
*	85009008	Cord From Switch To MCB
*	85009025	Piezo/Display Cable

