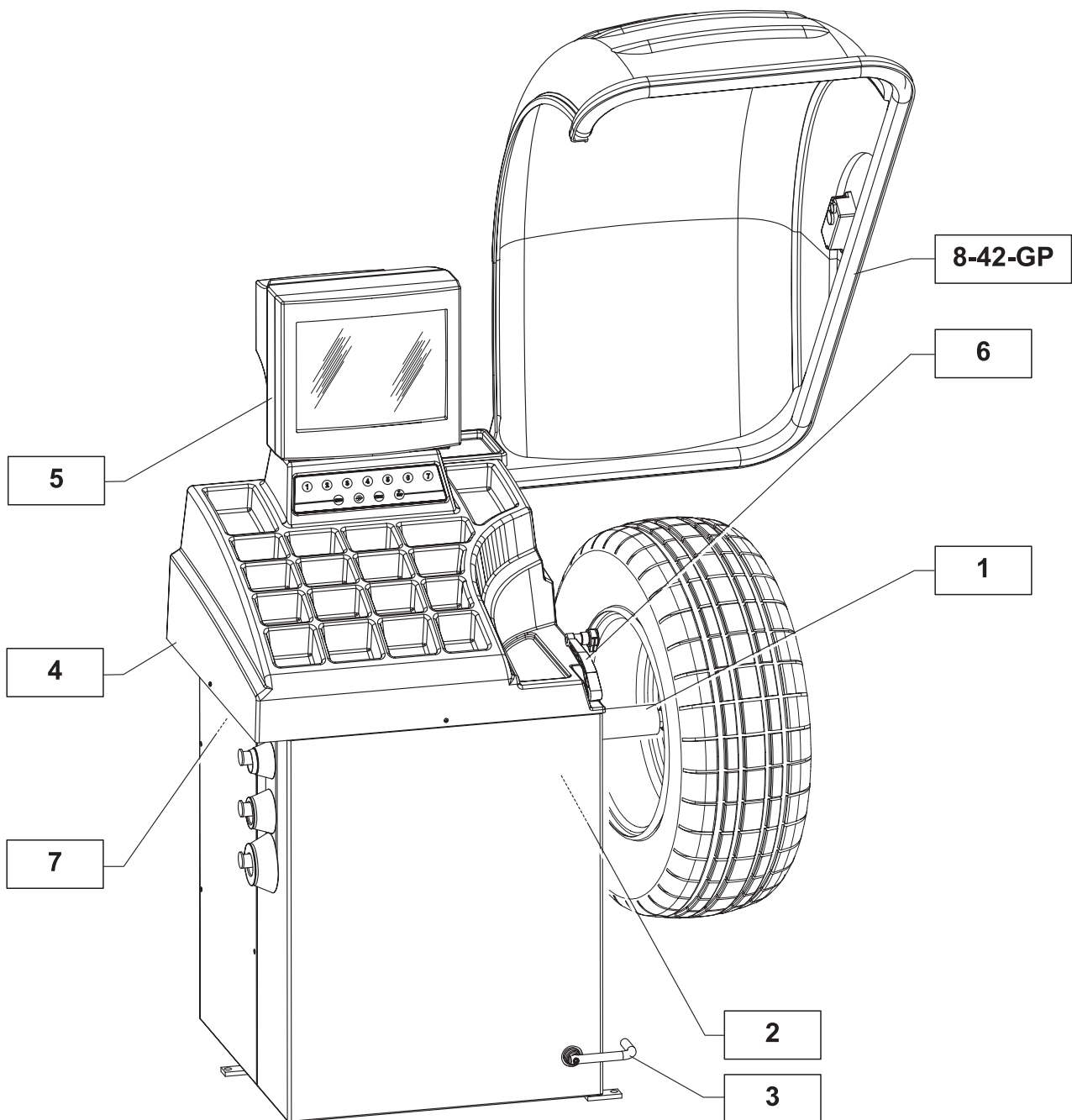


## C73 (A)

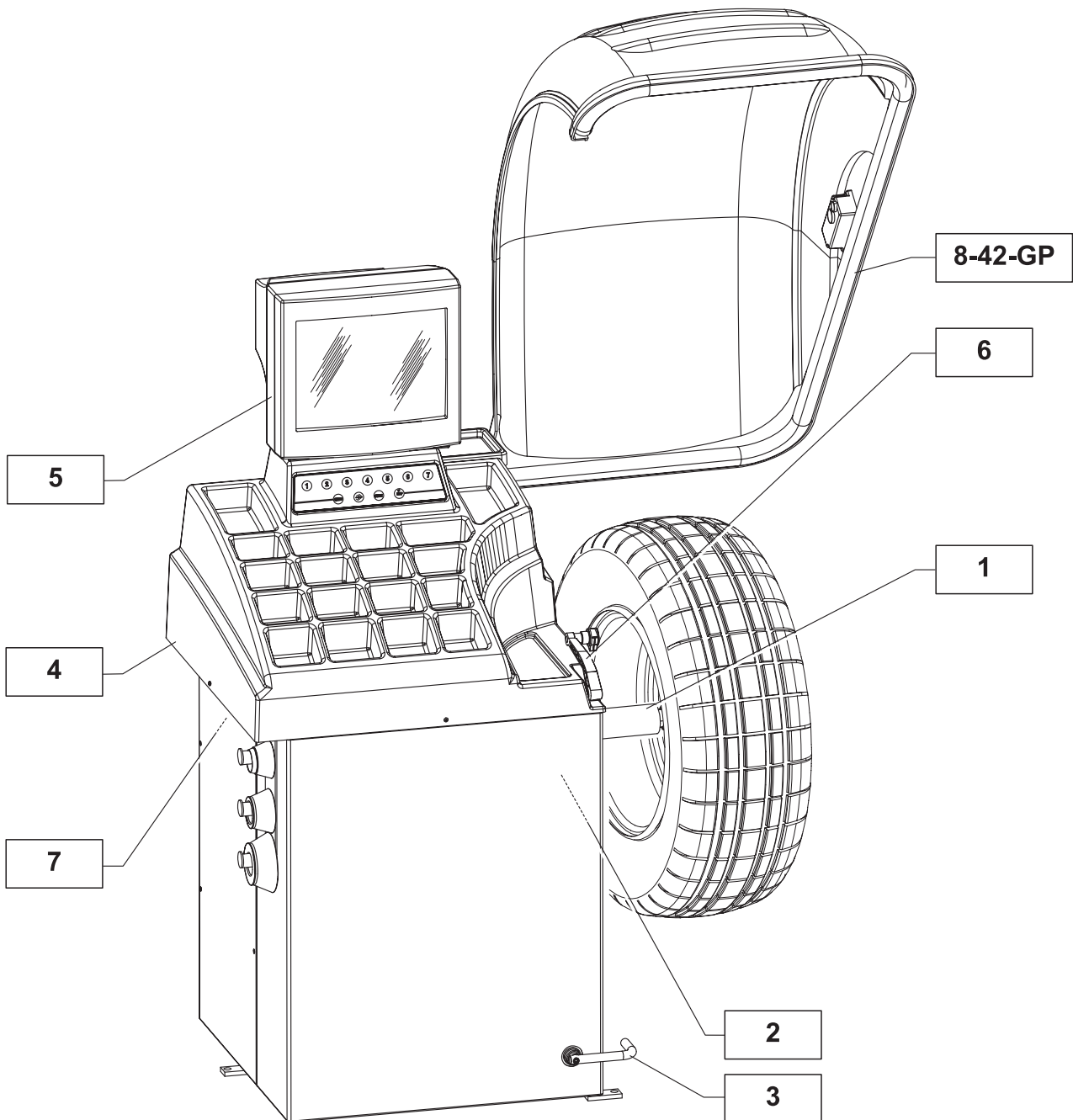


D0348-1	0374-1	<b>1</b>	<b>MANDRINO</b>	<b>SHAFT ASSEMBLY</b>
D551-2	567-2	<b>2</b>	<b>MOTORE+DATORE DI FASE+ TRASDUTTORI PIEZO</b>	<b>MOTOR+POSITION PICK-UP+ PIEZO TRANSDUCER</b>
D493-3	493-3	<b>3</b>	<b>FRENO</b>	<b>BRAKE</b>
D567-4	567-4	<b>4</b>	<b>BASAMENTO (1)</b>	<b>CASING (1)</b>
D567-5	567-5	<b>5</b>	<b>BASAMENTO (2)</b>	<b>CASING (2)</b>
D0364-6	0364-6	<b>6</b>	<b>CALIBRO AUTOMATICO: "DISTANZA + DIAMETRO 22"</b>	<b>"DISTANCE + 22" DIAMETER" AUTOMATIC GAUGE</b>
D567-7	567-7	<b>7</b>	<b>POTENZA</b>	<b>POWER UNIT</b>
D441-8-42-GP	567-8-42-GP	<b>8-42-GP</b>	<b>PROTEZIONE RUOTA 42"-GP</b>	<b>42"-GP WHEEL GUARD</b>

\* Particolari reperibili in commercio

\* Parts on the market

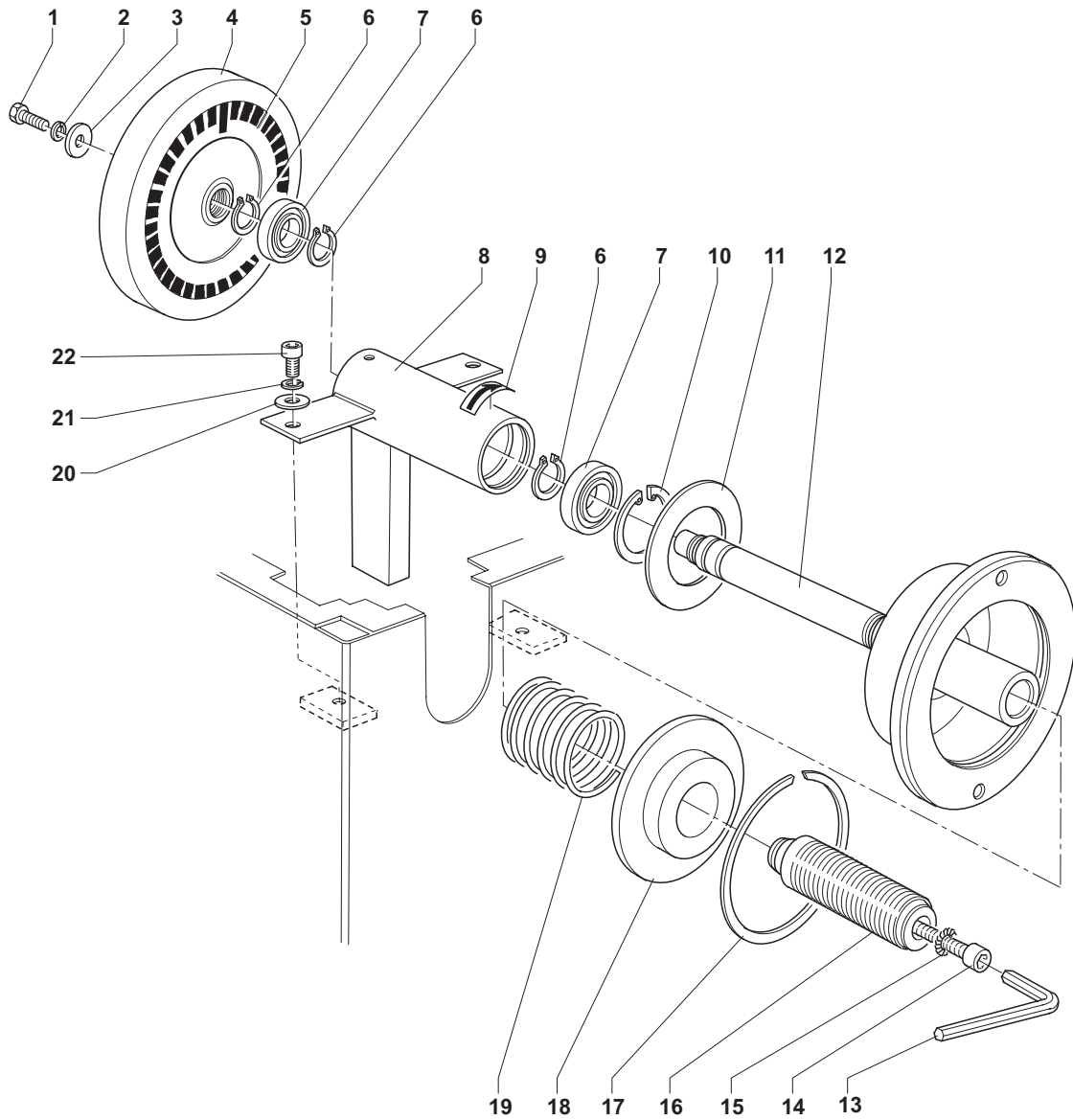
## C73 (A)



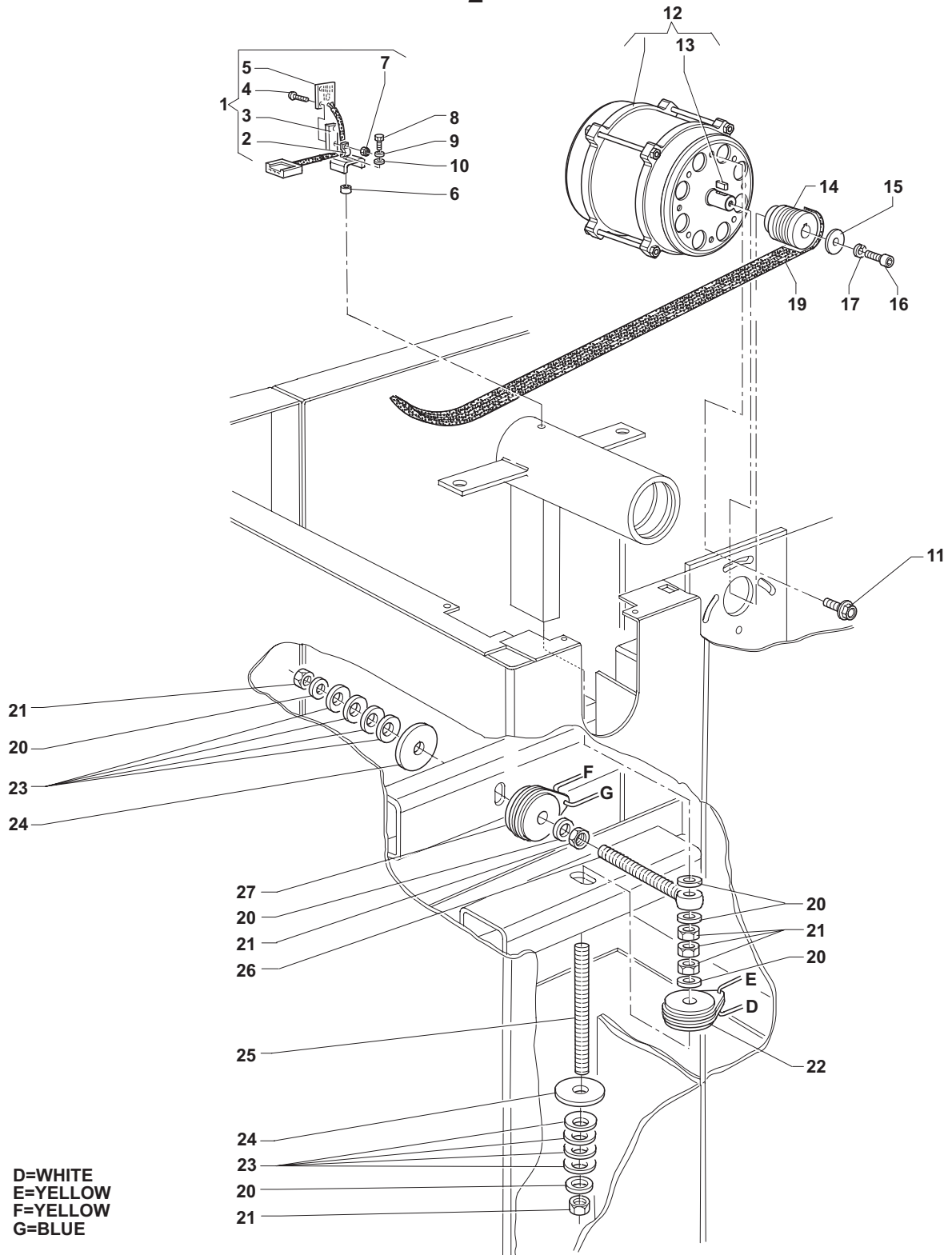
D0348-1	0374-1	1	DORN	BROCHE	MANDRIL
D551-2	567-2	2	MOTOR+PHASENGEBER+ PIEZOGEBER	MOTEUR+DONNEUR DE PHASE+ TRANSDUCTEURS PIEZO	MOTOR+CAPTADOR DE FASE+ TRANSDUCTORES PIEZOELECTRICOS
D493-3	493-3	3	BREMSE	FREIN	FRENO
D567-4	567-4	4	SOCKEL (1)	BASE (1)	BASE (1)
D567-5	567-5	5	SOCKEL (2)	BASE (2)	BASE (2)
D0364-6	0364-6	6	AUT. MESSLEHRE: "ABSTAND UND 22" DURCHMESSER"	CALIBRE AUTOMATIQUE: "DISTANCE + DIAMETRE 22"	CALIBRE AUTOMATICO: "DISTANCIA + DIAMETRO 22"
D567-7	567-7	7	NETZEINHEIT	PUISSANCE	POTENCIA
D441-8-42-GP	567-8-42-GP	8-42-GP	RADSCHUTZVERKLEIDUNG 42"-GP	PROTECTION ROUE 42"-GP	PROTECCION RUEDA 42"-GP

\* Handelsübliche Teile\* Pièces se trouvant dans le commerce

\* Piezas que se encuentran en el mercado

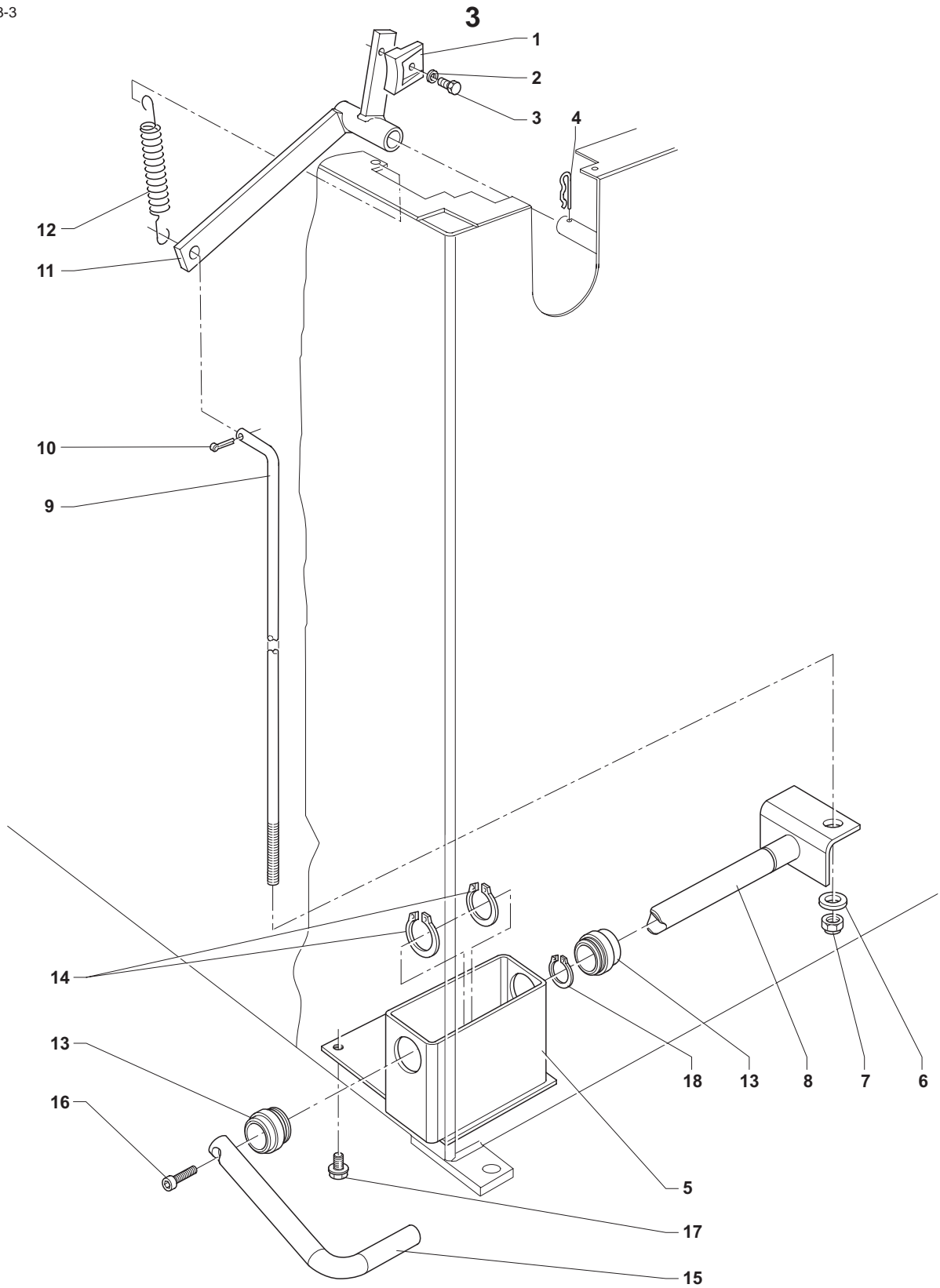


N.	CODE	DATA	N.	CODE	DATA	N.	CODE	DATA
1	311225120	*	11	04FM40630		21	325046008	*
2	325046010	*	12	42FM41391	Ø 40	22	312120093	*
3	326035011	*	13	114008002	*			
4	42FM49794		14	312120137	*			
5	04FM38621		15	325047011	*			
6	341000025	*	16	42FM51744	Ø 40 L = 205			
7	020600503	*	17	344200118	*			
8	42FM60997		18	42FP41056				
9	040010101		19	181198630				
10	342000047	*	20	326035009	*			

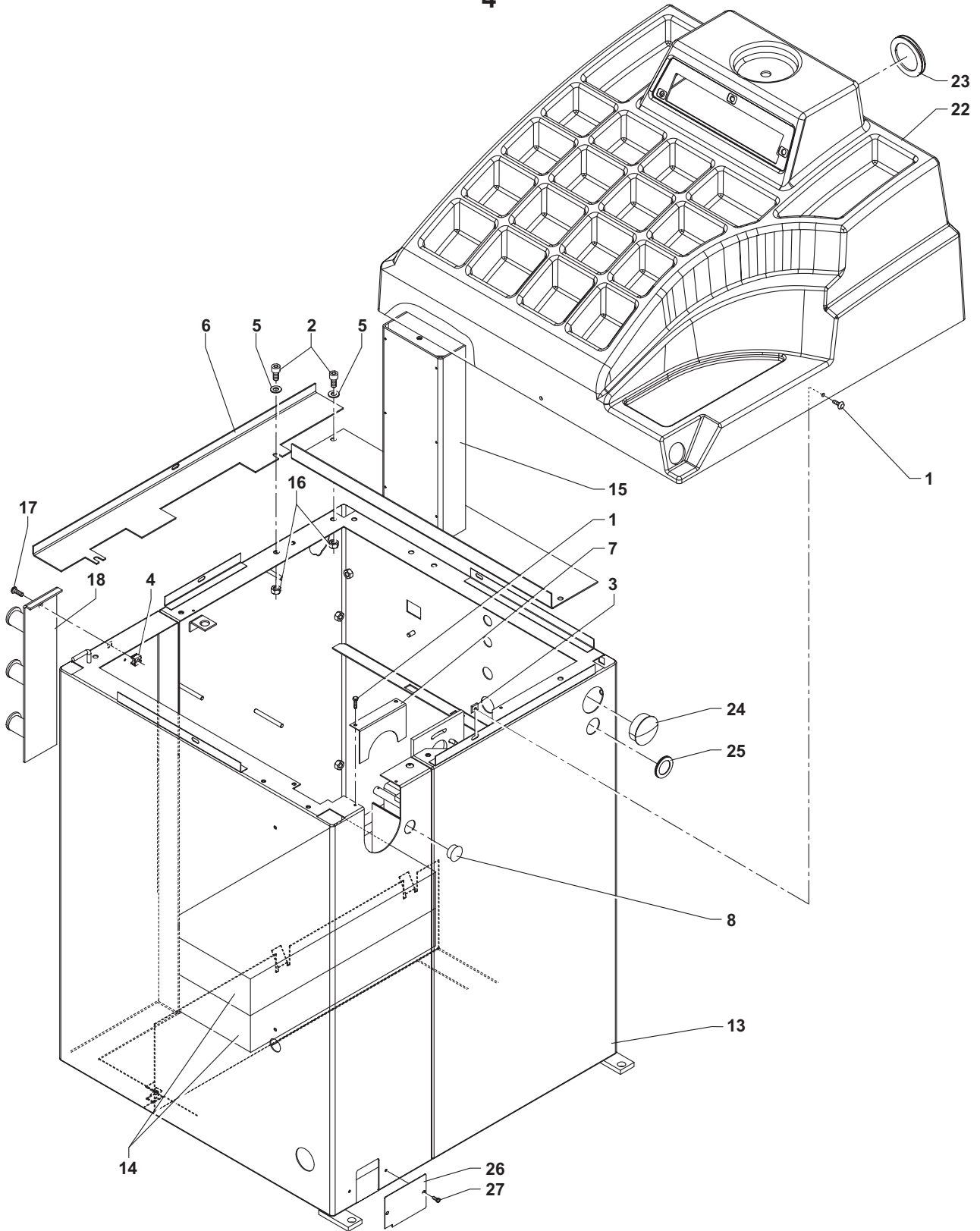


D=WHITE  
E=YELLOW  
F=YELLOW  
G=BLUE

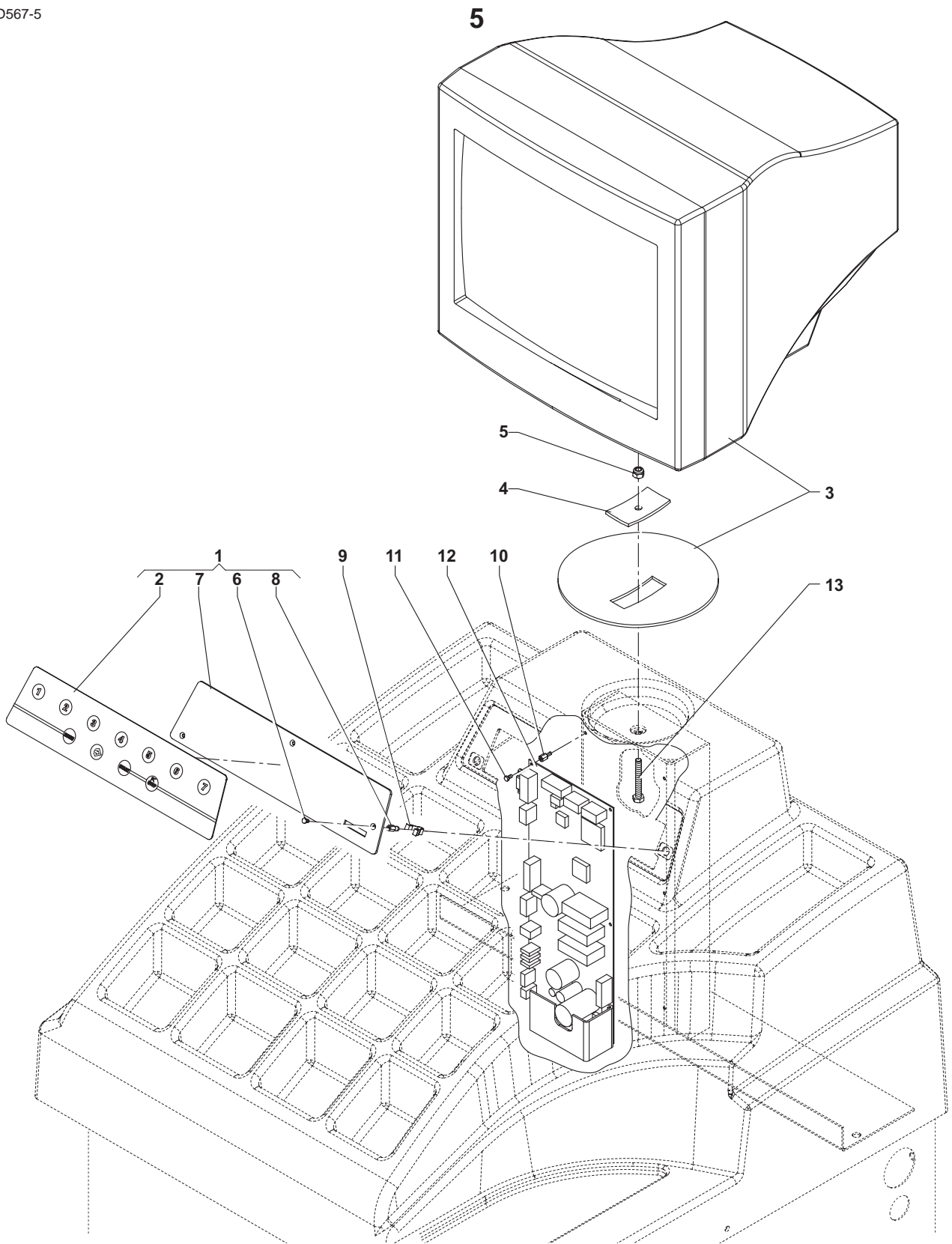
N.	CODE	DATA	N.	CODE	DATA	N.	CODE	DATA
1	86SD73910		12	50FG55641	230V/50-60 Hz	23	345122515	
2	420610639		12	50FG55643	115V/50-60 Hz	24	326035011	*
3	42SD36228		13	348016018	*	25	105110165	
4	312114310	*	14	07FG56429		26	105114744	
5	67M38954J		15	326035004	*	27	940701233	
6	42SD69942	*	16	312120035	*			
7	321233003	*	17	325046004	*			
8	311220072	*	19	080077007				
9	325046006	*	20	325035010	*			
10	325035006	*	21	321212010	*			
11	310230512	*	22	940701232				



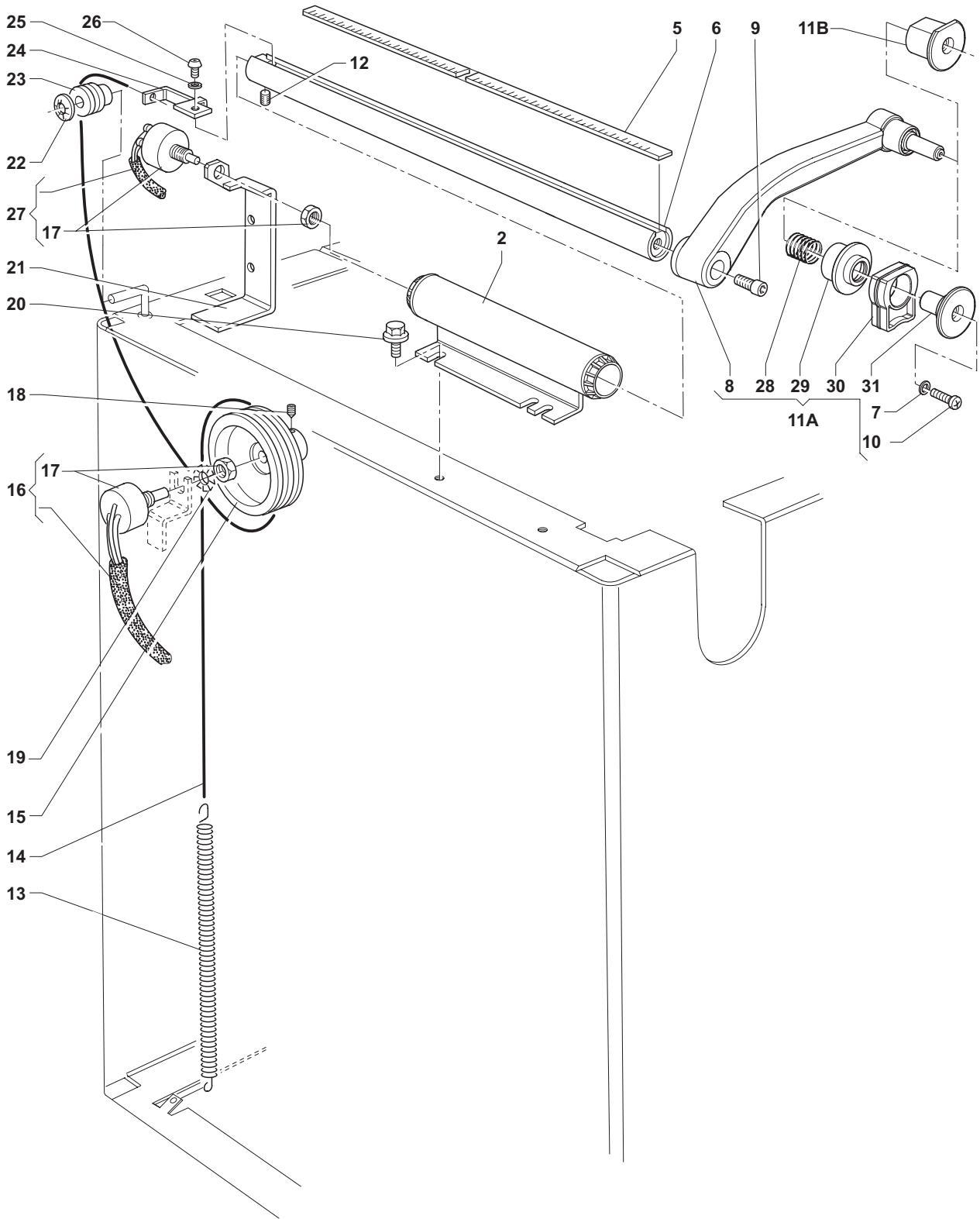
N.	CODE	DATA	N.	CODE	DATA	N.	CODE	DATA
1	217021434		11	42FB31957				
2	325035004	*	12	182245870				
3	311220034	*	13	217019283				
4	337110015	*	14	341000028	*			
5	42FB68646		15	42FB68644				
6	325035010	*	16	312120072	*			
7	321233008	*	17	310230510	*			
8	42FB68680		18	341000020	*			
9	42FB68690							
10	337110010	*						



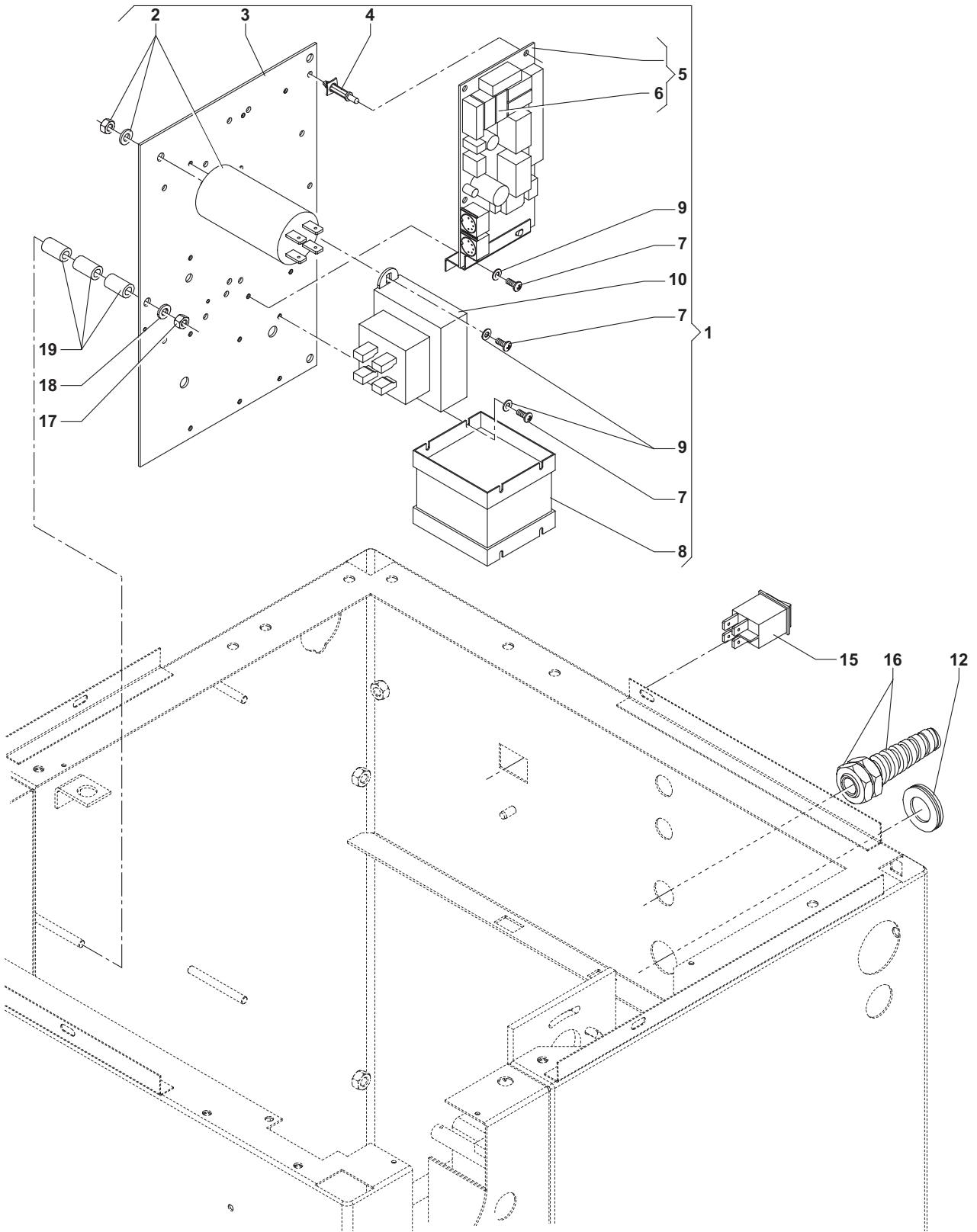
N.	CODE	DATA	N.	CODE	DATA	N.	CODE	DATA
1	314931069	*	15	42FB74416				
2	312120093	*	16	321232008	*			
3	329007041	*	17	317220072	*			
4	200000016	*	18	42FB41283				
5	325035008	*	22	14FB74355				
6	42FB74427		23	526004800	*			
7	42FB32762		24	213015003	*			
8	213008753		25	526002100	*			
13	42FB74462		26	42FB42149				
14	301100007		27	317232034	*			



N.	CODE	DATA	N.	CODE	DATA	N.	CODE	DATA
1	46PR74408		11	314232015	*			
2	05PR74376		12	86SC74482				
3	801100168	(15")	13	311220077	*			
4	42FB44791							
5	321233006	*						
6	315231015	*						
7	72PR74409							
8	329007663	*						
9	329004434	*						
10	527034980	*						

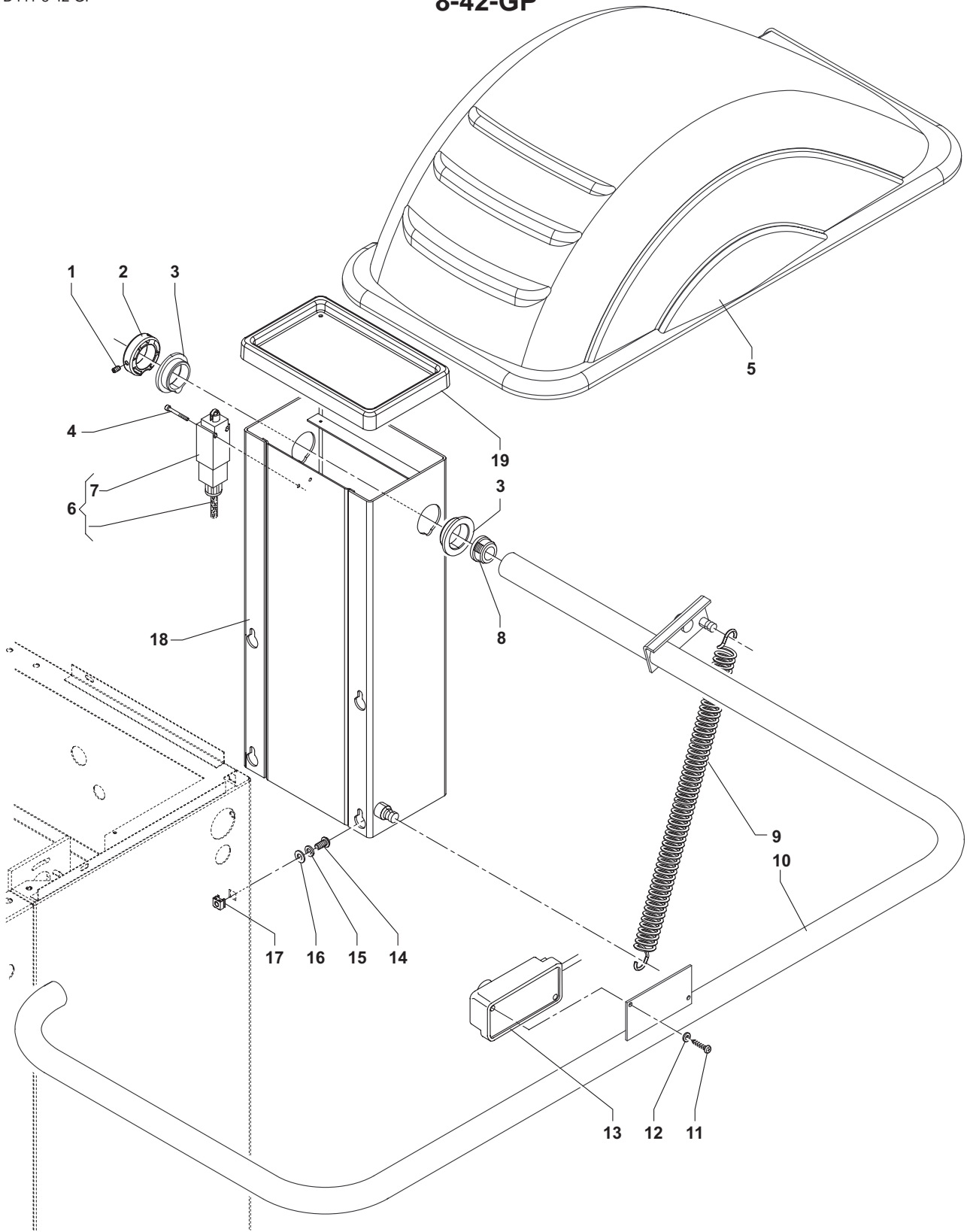


N.	CODE	DATA	N.	CODE	DATA	N.	CODE	DATA
2	42FB49858		13	182185750		23	217021283	
5	040142902		14	523000018		24	42FC40278	
6	42FC34863		15	217025965		25	325035003	*
7	325035004	*	16	86SB38988		26	314231018	*
8	21FC61932		17	588020312		27	86SB36493	
9	312120071	*	18	319218035	*	28	18FC61936	
10	314931051	*	19	325047010	*	29	21FC61934	
11A	46FC61931		20	310230616	*	30	21FC61935	
11B	46FC63713		21	42FC40276	*	31	21FC61933	
12	319216065	*	22	344200060	*			



N.	CODE	DATA	N.	CODE	DATA	N.	CODE	DATA
1	86SZ74448	230V	8	611035187	40VA (115V)			
1	86SZ74449	115V	9	325035004	*			
2	568002057	20MF (230V)	10	611000314	30VA (230V)			
2	568003057	30MF (115V)	10	611000313	30VA (115V)			
3	42SZ44933		12	526002100	*			
4	527006175	*	15	511242101				
5	67M48208A		16	526003246	*			
6	681002001	*	17	321232006	*			
7	317232034	*	18	325047006	*			
8	611035188	40VA (230V)	19	420230157				

# 8-42-GP



N.	CODE	DATA	N.	CODE	DATA	N.	CODE	DATA
1	319216068	*	11	314931018	*			
2	14FW70362		12	325035003	*			
3	217019275		13	86SB41339				
4	312120040	*	14	314231085	*			
5	14FW64449		15	325046008	*			
6	86SB38585		16	325035008	*			
7	517140515		17	200000018	*			
8	213011873	*	18	42FW68237				
9	18FW64441		19	14FW67937				
10	42FW64454							