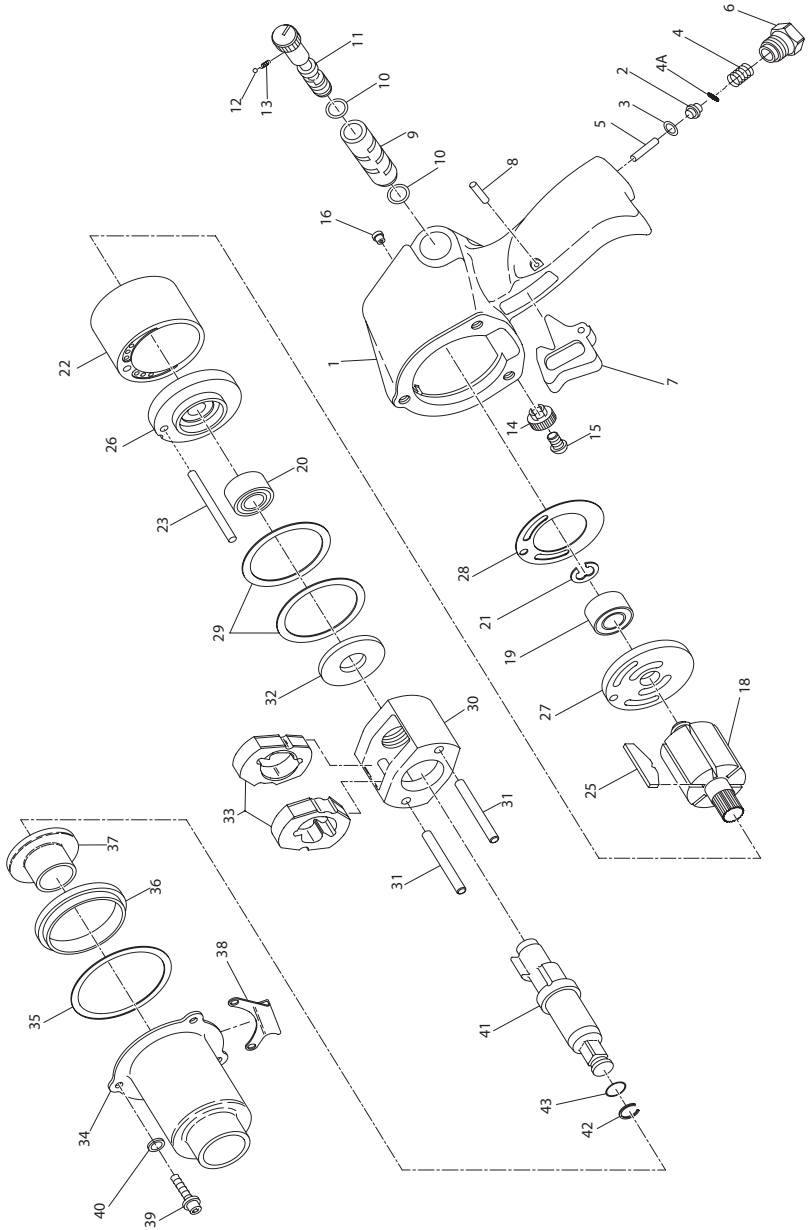


Model 244A, 244A-2 Automotive Impact Wrench - Exploded View



(Dwg. TPA1916)



16578791
Edition 3
October 2013

Model 244A, 244A-2 Automotive Impact Wrench - Parts List

Item	Part Description	Part Number	Item	Part Description	Part Number
1	Motor Housing Assembly	244A-A40	28	End Plate Gasket	PF800-283
2	Throttle Valve Assembly	404-50A	29	Motor Clamp Washer (2)	227-207
3	Throttle Valve Face	405-159	30	Hammer Frame Assembly	231XP-A703
4	Throttle Valve Spring	R1A-51	31	Hammer Pin (2)	231-704
4A	Throttle Valve Seat	402-303	32	Hammer Frame Rear Washer	231-706
5	Throttle Valve Stem	402-302	33	Hammer (2)	231XP-724
6	Air Strainer Assembly	402-565	34	Hammer Case Assembly	131-A927
7	Trigger	705-93	35	Hammer Case Gasket	230-36
8	Trigger Pin	533-656	36	Hammer Case Pilot	405-800
9	Reverse Valve Bushing Assembly	231-A330	37	Hammer Case Bushing	705-941
10	Reverse Valve Bushing Seal (2)	PS3-67	38	Exhaust Deflector	244LG-23
11	Reverse Valve	231-329A	39	Hammer Case Cap Screw (3)	131-638
12	Reverse Valve Detent Ball	AV1-255	40	Hammer Case Lock Washer (3)	131-637
13	Reverse Valve Detent Spring	131-664	41	Anvil Assembly (1/2" Square Drive)	
14	Reverse Valve Knob	131-666		Standard Length	231B-A626
15	Reverse Valve Knob Screw	231-665		2" Extended Length	231B-A414
16	Grease Fitting	131-188	42	Socket Retainer	2135-425
*	Housing Label	WARNING-2-99	43	Retainer O-Ring	R1A-159
*	Nameplate	244A-301	*	Grease Gun	R000A2-228
18	Rotor	244-53	*	Tune-Up Kit (includes items 3, 4, 10, 12, 13, 19, 20, 21, 25, 28, 35, 42, and 43)	244-TK2
19	Rear Rotor Bearing	402-22			
20	Front Rotor Bearing	4U-97	*	Hammer Kit (for 244A Standard Length) (includes items 20, 33(2), 35, 39(3), 40(3), and 41)	231B-THK1
21	Rear Rotor Bearing Retainer	131-118			
22	Cylinder	904-3			
23	Cylinder Dowel	230-98	*	Hammer Kit (for 244A-2 Extended Length) (includes items 20, 33(2), 35, 39(3), 40(3), and 41)	231B-THK2
25	Vane Packet (Set of 6 Vanes)	2906P-42-6			
26	Front End Plate	131-11			
27	Rear End Plate	131-12			

* Not Illustrated

Parts and Maintenance

When the life of the tool has expired, it is recommended that the tool be disassembled, degreased and parts be separated by material so that they can be recycled.

Tool repair and maintenance should only be carried out by an authorized Service Center.

Refer all communications to the nearest **Ingersoll Rand** Office or Distributor.

Related Documentation

For additional information refer to:

Air Impact Wrench Product Safety Information Manual 04580916.

Air Impact Wrench Product Information Manual 04584819.

Manuals can be downloaded from ingersollrandproducts.com