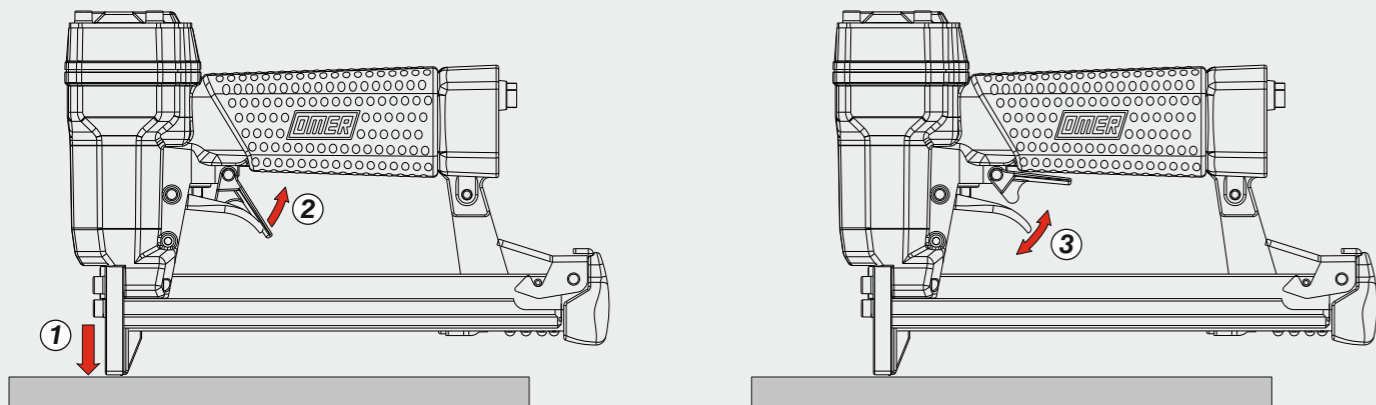


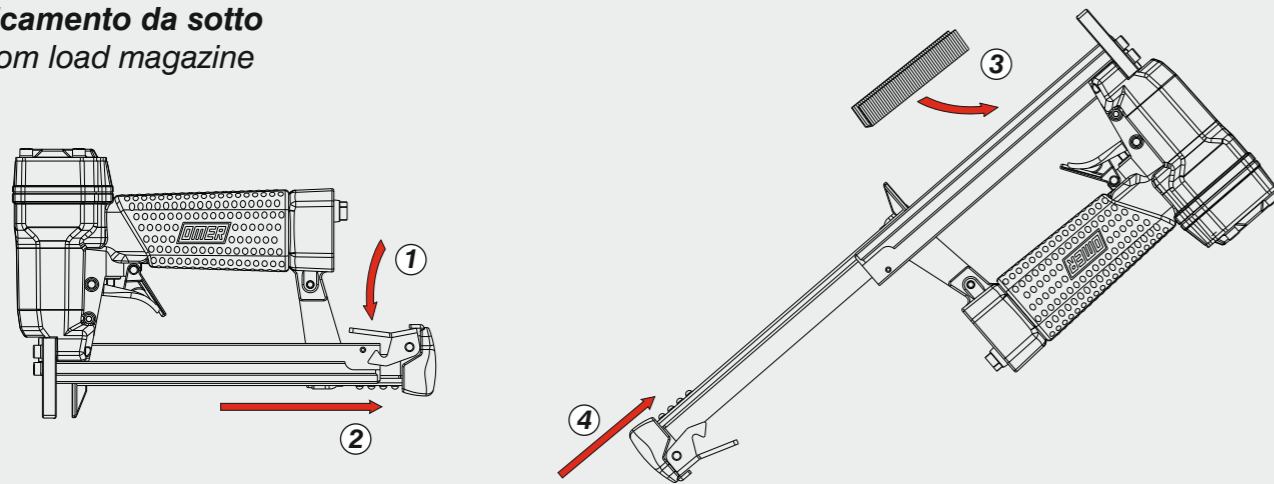
## Azionamento - Actuation

### Azionamento singolo con doppia attivazione Single actuation with dual activation

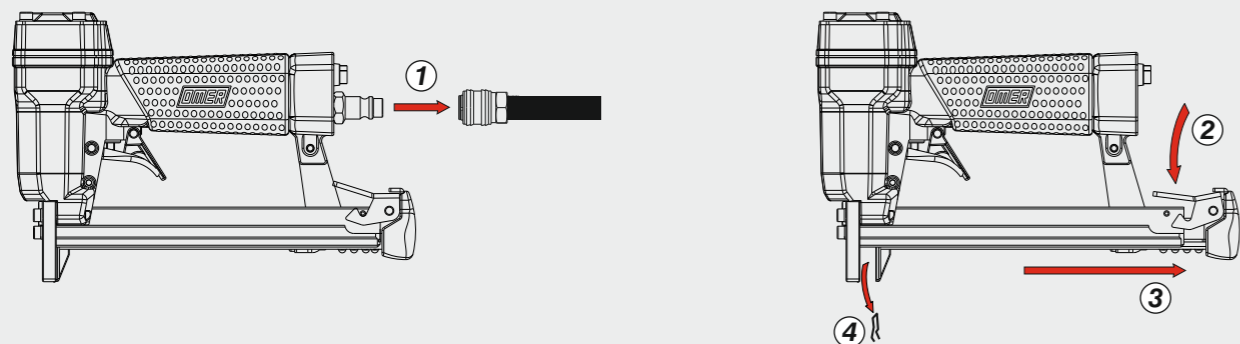


## Caricamento - Loading

### Caricamento da sotto Bottom load magazine



## Disinceppamento - Jam clearing



# OMER

**Manuale d'uso, manutenzione e parti di ricambio**  
**Use, maintenance and spare parts manual**  
**Gebrauchsanweisung, Instandhaltungsrichtlinien und Ersatzteile**  
**Manuel d'utilisation, entretien et pièces de rechange**  
**Manual de uso, mantenimiento y repuestos**  
**Εγχειρίδιο χρήσης, συντήρησης και ανταλλακτικών**  
**Manual de utilização, manutenção e partes sobresselentes**  
**Handleiding voor gebruik, onderhoud en wisselstukken**  
**Brugsanvisning, vedligeholdelse og reservedelsliste**

**Parte 2**  
**Part 2**  
**Teil 2**  
**Partie 2**  
**Part 2**  
**2° Μέρος**  
**Parte 2**  
**Deel 2**  
**Del 2**



# 81P

cod. 1156190



| Dati tecnici<br>Technical data<br>Technische daten | Données techniques<br>Datos técnicos<br>Τεχνικά χαρακτηριστικά | Dados técnicos<br>Technische gegevens<br>Teknische data |
|--|--|---|
|--|--|---|

|   |   |  |  |
|---|---|--|--|
| <b>Misure impiegabili mm</b><br>Usable lengths mm<br>Gebrauchliche Längen mm                        | Mesures utilisables mm<br>Medidas que se pueden emplear mm<br>Διαστάσεις σε μμ                      | Medidas que se podem utilizar mm<br>Te gebruiken lengtes in mm<br>Brugbare længder i mm                        | <b>6 ÷ 16</b>                          |
| <b>Capacità caricatore n° punti</b><br>Magazine capacity No. of fasteners<br>Magazinkapazität Nägel | Capacité chargeur n° de points<br>Capacidad cargador n° puntos<br>Δυνατότητα γεμιστέρα, σπινδύτερος | Capacidade carregador n° pontos<br>Capaciteit magazijn in aantal spijkers<br>Kapacitet af magasin antal klemme | <b>90</b>                              |
| <b>Pressione d'esercizio</b><br>Working pressure<br>Betriebsdruck                                   | Pression de fonctionnement<br>Presión de trabajo<br>Πίεση λειτουργίας ατμ.                          | Pressao de trabalho<br>Werkdruk<br>Arbejds tryk bar  | <b>4 ÷ 6 bar</b><br><b>60 ÷ 90 psi</b> |
| <b>Consumo aria litri/colpo</b><br>Air consumption litres/shot<br>Luftverbrauch Liter/Schlag        | Consommation air litre/coup<br>Consumo aire-litros/golpe<br>Καταναλοση αερα λ/ξτπημα                | Consumo ar litro/golpe<br>Luchtverbruik liter/schot<br>Luftforbrug liter/skud                                  | <b>0,13</b>                            |
| <b>Peso kg</b><br>Weight kg<br>Gewicht kg   | Poids kg<br>Peso kg<br>Βαρος κγ   | Peso kg<br>Gewicht in kg<br>Vægt kg  | <b>0,90</b>                            |
| <b>Dimensioni (AxBxH) mm</b><br>Dimensions mm<br>Größe mm   | Dimension mm<br>Dimensiones mm<br>Δυνατότητα γεμιστέρα, σπινδύτερος                                 | Dimencoes mm<br>Afmetingen in mm<br>Dimensioner mm   | <b>223x43x148</b>                      |

| EN 12549 :1999   | ISO 11201 :1995   |  |
|--|---|--|
| <b>Pressione sonora in pos. operatore</b><br>Sound pressure at the workstation<br>Lärmintensität am Arbeitsplatz | Pression acoustique près de l'opérateur<br>Presión sonora en posición encargado<br>Ακουστική πίεση στη θέση χειριστού | Intensidade sonora perto do operador<br>Geluidssterkte op de werkplek<br>Lydstyrke på operatorposten |
|  |   | <b>84,3 dB(A)</b>  |

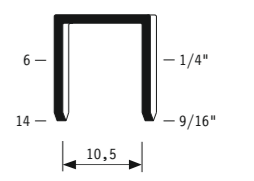
| EN 12549 :1999  | ISO 3744 :1994  |   |
|---|---|---|
| <b>Potenza sonora emessa</b><br>Emitted sound power<br>Ausgestrahlte Lärmintensität | Puissance acoustique émise<br>Potencia sonora emitida<br>Ακουστική ισχυ | Potência sonora emitida<br>Uitgestraalde geluidssterkte<br>Udsendt lydstryrke |
|   |   | <b>93,7 dB(A)</b>   |

| EN 28662 :1992   | ISO 5349 :1986  | ISO 8662 -11  |
|--|---|---|
| <b>Valore medio ponderato di vibrazione sull'impugnatura max.33 colpi</b><br>Weighted mean value of vibration on the grip max.33 shots<br>Mitteler Vibrationswert, am Griff gemessen max.33 Schäge | Valeur moyenne pondérée de vibration mesurée sur la poignée max.33 coups<br>Valor medio ponderado de vibracion medida en la empunadura max.33 golp<br>Μεσος ορος μετρησης κραδασιων στη χειρολαβη μαξ.33 ξτπημα | Valor medio ponderado de vibracao medida no punho max.33 golpes<br>Gewogen gemiddelde vibratiewaarde max.33 schot<br>Middelvaardi af vibrationer pa handtaget max.33 skud |
|  |   | <b>&lt;2,5 m/s²</b>   |

**Tipo di punto**  
Type of fastener  
Befestigungselement  
Type d'agrafe  
Tipo de punto  
Τύπος κάρφιου  
Tipo de ponto  
Type nietjes  
Tilspændingstype

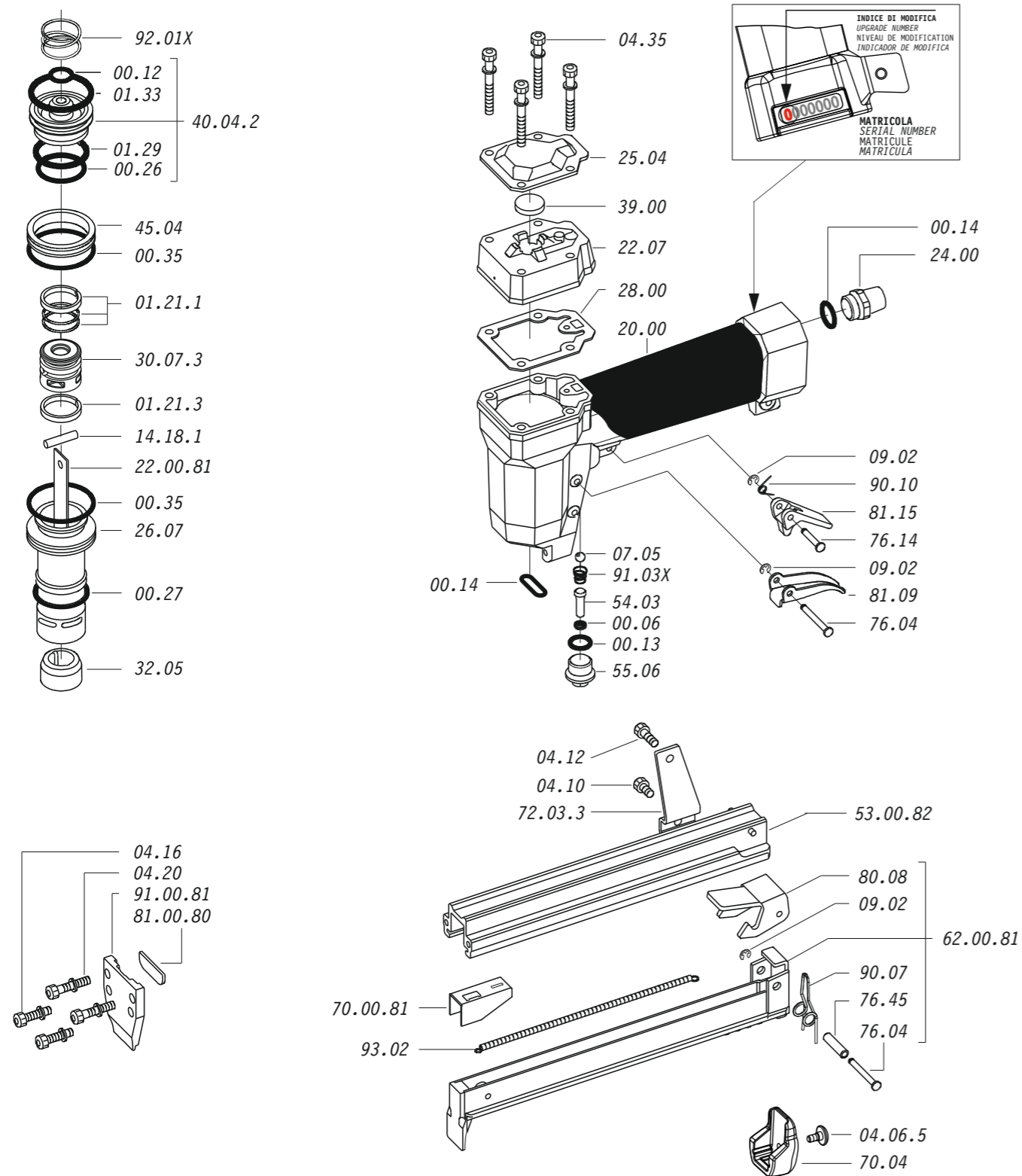
**81P**

1,10x1,25



Crown: .500" (1/2")  
Gauge: 19

Parti di ricambio - Spare parts - Ersatzteile - Pièces de rechange - Piezas de repuesto  
Ανταλλακτικά - Partes sobresselentes - Wisselstukken - Reservedele



Dotazioni - Equipment - Ausrüstung - Équipements - Equipamiento - Παρεχόμενα  
Equipamento - Uitrusting - Udstyr



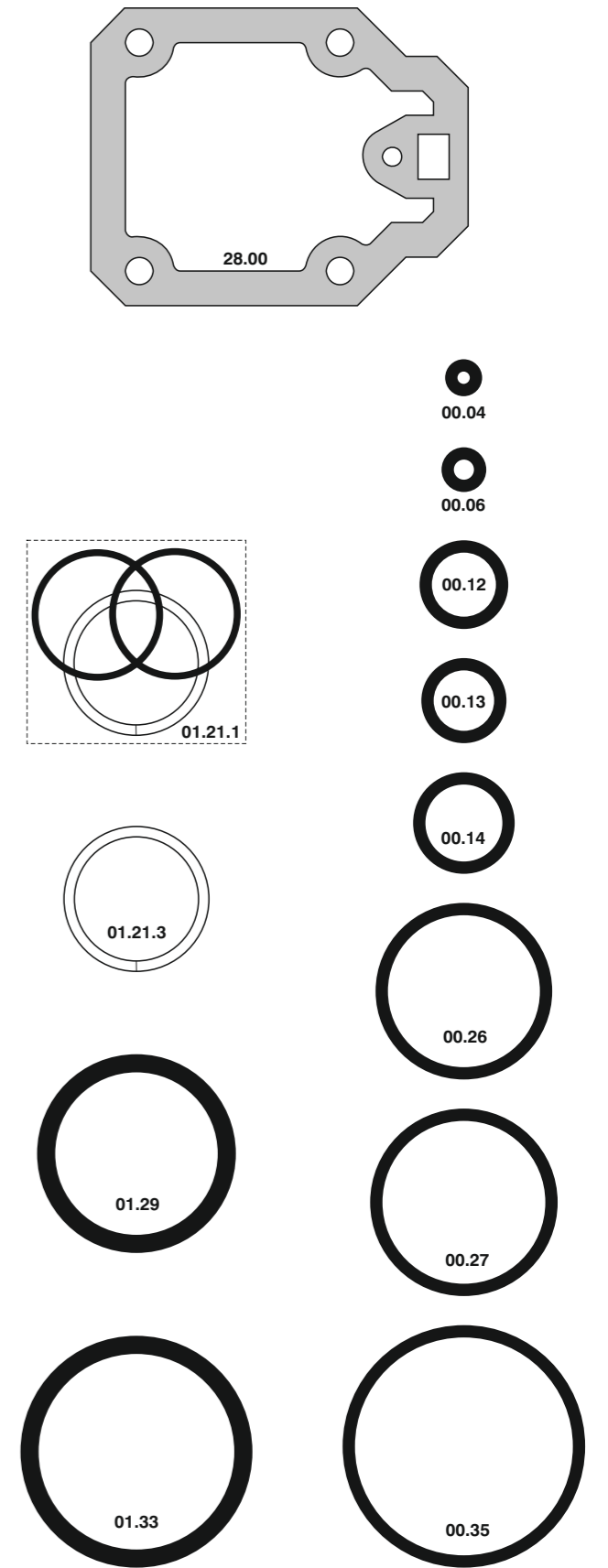
**81P**

cod. 1156190

Parti di ricambio - Spare parts - Ersatzteile - Pièces de rechange - Piezas de repuesto  
Ανταλλακτικά - Partes sobresselentes - Wisselstukken - Reservedele

| Cod.     | Descrizione         | Description       |
|----------|---------------------|-------------------|
| 00.06    | O-Ring              | O-Ring            |
| 00.12    | O-Ring              | O-Ring            |
| 00.13    | O-Ring              | O-Ring            |
| 00.14    | O-Ring              | O-Ring            |
| 00.26    | O-Ring              | O-Ring            |
| 00.27    | O-Ring              | O-Ring            |
| 00.35    | O-Ring              | O-Ring            |
| 01.21.1  | Guarnizione         | Gasket            |
| 01.21.3  | Guarnizione         | Gasket            |
| 01.29    | O-Ring              | O-Ring            |
| 01.33    | O-Ring              | O-Ring            |
| 04.06.5  | Vite                | Screw             |
| 04.10    | Vite                | Screw             |
| 04.12    | Vite                | Screw             |
| 04.16    | Vite                | Screw             |
| 04.20    | Vite                | Screw             |
| 04.35    | Vite                | Screw             |
| 07.05    | Sfera               | Ball              |
| 07.30    | Chiave esagonale    | Hex. bar wrench   |
| 09.02    | Anello elastico     | Elastic ring      |
| 14.18.1  | Spina               | Pin               |
| 20.00    | Corpo               | Body              |
| 22.07    | Testa               | Head              |
| 24.00    | Silenziatore        | Silencer          |
| 25.04    | Deflettore          | Exhaust deflector |
| 26.07    | Cilindro            | Cylinder          |
| 28.00    | Guarnizione         | Gasket            |
| 30.07.3  | Pistone             | Piston            |
| 32.05    | Ammortizzatore      | Bumper            |
| 39.00    | Guarnizione scarico | Exhaust gasket    |
| 40.04.2  | Valvola completa    | Valve ass'y       |
| 45.04    | Anello valvola      | Ring              |
| 54.03    | Pulsante            | Trigger valve     |
| 55.06    | Raccordo            | Bush              |
| 70.04    | Protezione          | Guard             |
| 72.03.3  | Reggicaricatore     | Support           |
| 76.04    | Perno               | Pin               |
| 76.14    | Perno               | Pin               |
| 76.45    | Perno molla         | Pin               |
| 80.08    | Grilletto chiusura  | Trigger           |
| 81.09    | Grilletto comando   | Trigger           |
| 81.15    | Controgrilletto     | Safety            |
| 90.07    | Molla               | Spring            |
| 90.10    | Molla               | Spring            |
| 91.03X   | Molla               | Spring            |
| 92.01X   | Molla               | Spring            |
| 93.02    | Molla               | Spring            |
| 22.00.81 | Battente            | Driver            |
| 53.00.82 | Caricatore          | Magazine          |
| 62.00.81 | Carrello            | Slider            |
| 70.00.81 | Spingipunto         | Pusher            |
| 81.00.80 | Controtestina       | Nose              |
| 91.00.81 | Testina             | Nose plate        |
| D01      | Bocchetta olio      | Oiler             |

Guarnizioni - O-Rings - Dichtungen - Joints - Kit O-rings - Λαστιχάκια - Kit O-rings - O-rings - Pakninger



**81P**

cod. 1156190

Indice di modifica  
Upgrade number

**5**